

Technical information

SUPER 2000-3i



Tracked paver SUPER 2000-3i

Highway Class

TECHNICAL HIGHLIGHTS

- > Maximum paving width 28 ft. 3 in. (8.6 m)
- > Maximum laydown rate 1,540 tons/h (1,400 tonnes/h)
- > Transport width 10 ft. (3.05 m)
- > Engine output: 250 hp (186 kW) at 2,000 rpm

SUPER 2000-3i - the versatile Highway Class tracked paver

The SUPER 2000-3i was specially developed to meet the requirements of the North American and Australian markets. It features a high-precision undercarriage with fast-running rubber tracks and is driven by a powerful Cummins 6-cylinder engine. This engine operates particularly economically and quietly in combination with the VÖGELE EcoPlus low-emissions package.

The tracked paver in the 10-foot class was primarily designed for long-distance roads and large-scale projects where performance and productivity are key.



TECHNICAL DATA

Power unit

Engine

> Version	6-cylinder diesel engine, liquid-cooled
> Manufacturer	Cummins
> Type	QSB6.7-C250

Output

> Nominal	250 hp (186 kW) at 2,000 rpm (according to DIN)
> ECO mode	235 hp (175 kW) at 1,700 rpm

Emissions information

> Exhaust emissions standards	EU Stage 4, US EPA Tier 4f
> Exhaust gas after-treatment	DOC, SCR

Fuel tank

100 gallons (380 liters)

Undercarriage

Crawler tracks

> Version	continuous rubber band
> Ground contact	9 ft. 10 in. x 1 ft. 6 in. (2,994 x 457 mm)
> Track rollers	lifetime grease lubricated
> Traction drive	separate hydraulic drive and electronic control provided for each crawler track

Speeds

> Paving	up to 250 fpm (76 m/min.), infinitely variable
> Transport	up to 7.5 mph (12 km/h), infinitely variable

Material hopper

Hopper capacity	16.5 tons (15 tonnes), including conveyor tunnel
Width	11 ft. 3 in. (3,420 mm)
Feed height	24 in. (620 mm)

Push-rollers

> Standard	oscillating
Position	can be displaced forwards by 3 in. (75 mm) or 6 in. (150 mm)
> Option	truck hitch

Conveyors and augers

Conveyors

> Version	2, with replaceable feeder bars, conveyor movement reversible for a short time
> Drive	separate hydraulic drive provided for each conveyor
> Speed	up to 197 fpm (60 m/min.), infinitely variable (manual or automatic)

Conveyors and augers

Augers	
> Version	2, with exchangeable auger blades, auger rotation reversible
> Diameter	16 in. (400 mm)
> Drive	separate hydraulic drive provided for each auger
> Speed	up to 130 rpm, infinitely variable (manual or automatic)
> Height	infinitely variable by 6 in. (15 cm), hydraulic
Lubrication	automatic centralized lubrication system with electrically driven grease pump

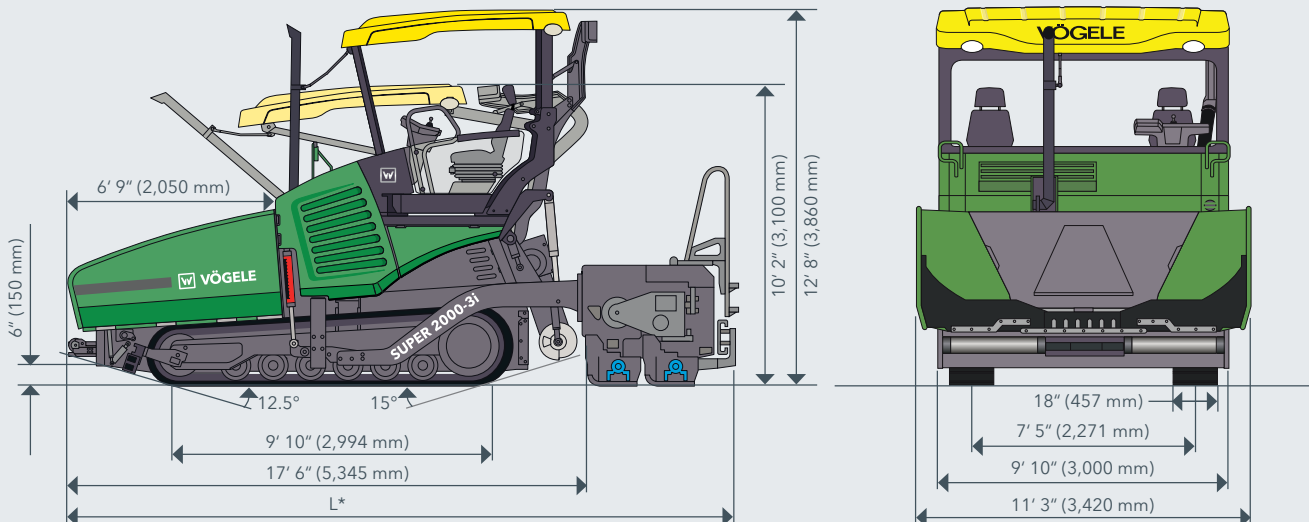
Screed	VF 600	VR 600	AB 600
Basic width	10 ft. to 19 ft. 6 in. (3.05 m to 5.95 m)	10 ft. to 19 ft. 8 in. (3.05 m to 6 m)	9 ft. 10 in. to 19 ft. 8 in. (3 m to 6 m)
Maximum width	25 ft. 6 in. (7.75 m)	28 ft. 3 in. (8.6 m)	27 ft. 11 in. (8.5 m)
Compacting systems	V	V	TV
Layer thickness	up to 12 in. (30 cm)		
Screed heating			
> Version	electric by heating rods		
> Power supply	three-phase AC generator		

Dimensions (transport) and weights

Length	
> Version	tractor unit and screed
> VF 600 V	21 ft. 4 in. (6.510 m)
> VR 600 V	22 ft. 6 in. (6.865 m)
> AB 600 TV	21 ft. 9 in. (6.625 m)
Weights	
> Version	tractor, hardtop and screed
> VF 600 V	49,053 lbs. (22,250 kg)
> VR 600 V	49,935 lbs. (22,650 kg)
> AB 600 TV	49,714 lbs. (22,550 kg)

Key: DOC = Diesel Oxidation Catalyst, SCR = Selective Catalytic Reduction, VF = Screed with Front-Mounted Extensions, VR = Screed with Rear-Mounted Extensions, AB = Extending Screed V= with vibration, TV = with tamper and vibration

SIDE AND FRONT VIEW



L* = Dependent on screed type (see specification)

THE HIGHLIGHTS OF THE SUPER 2000-3i

- > 10-foot tracked Highway Class paver with a large range of applications and paving widths up to 28 ft. 3 in. (8.6 m)
- > Powerful engine complying with US EPA standard Tier 4f
- > The VÖGELE EcoPlus low-emissions package significantly reduces fuel consumption and noise levels
- > Optimum feeding with mix thanks to the large material hopper holding 16.5 tons (15 tonnes)
- > ErgoPlus 3 with a number of additional ergonomic and functional advantages
- > Fully-integrated Niveltronic Plus, the System for Automatic Grade and Slope Control
- > High paving speeds up to 250 fpm (76 m/min)

FEATURES

> Large receiving hopper holding 16.5 tons (15 tonnes)	■
> Hydraulic hopper front	■
> Truck hitch	□
> Simple, ergonomic ErgoPlus 3 operating concept	■
> Working lights, LED	■
> Powerful oil-cooled generator	■
> VÖGELE EcoPlus low-emissions package	■
> LED light balloon for use at night	□
> NEMA power outlet, 120 V	□
> Sonic sensor to control augers	■
> Power Tunnel - hydraulically adjusted limiting plates for auger tunnel	■
> Niveltronic Plus System for Automated Grade and Slope Control	■
> Various sensor types are available for the Niveltronic Plus	□
> VÖGELE RoadScan comprehensive asphalt temperature measuring system	□
> WITOS Paving FleetView Telematics System	■
> Ventilation System	■

This list is just an extract of the scope of supply.
Standard features and options may differ by sales region.

■ Standard feature □ Option

Wirtgen America, Inc.

6030 Dana Way
Antioch, TN 37013
USA

T: +1 615 501-0600
F: +1 615 501-0691
M: info.america@wirtgen-group.com

➤ www.wirtgen-group.com/america

