



The Benchmark for Perfect Concrete Paving in the 32 ft Class

SLIPFORM PAVER SP 94i



US RELEASE

THE BENCHMARK FOR PERFECT CONCRETE PAVING IN THE 32 FT CLASS



The cost-effective 4-track slipform paver stands out for its enormous variety of applications in large-scale road and airport construction from 6 ft to 32 ft wide and 18 in (450 mm) thick (cannot be combined with all options).

The machine concept makes it possible to produce exceptionally flat surfaces.

The fully modular machine design, simple conversion and expansion options, and hydraulic swing arms make the machine highly adaptable to any job site situation.

The intelligent electronic steering and control concept ensures that the four crawler units move with pinpoint accuracy for high-precision concrete paving.

Precise insertion of tie bars and dowels via a self-loading dowel bar inserter (optional) makes it possible to pave concrete that requires reinforcing steel.



WIRTGEN SLIPFORM PAVERS

○

OFFSET SLIPFORM PAVERS

- > Offset paving width up to 13 ft 1 in¹⁾
- > Offset paving height up to 9 ft 10 in¹⁾

○

PLACER / SPREADERS

- > Inset paving width up to 40 ft¹⁾
- > Inset layer thickness up to 20 in (500 mm)¹⁾

●

INSET SLIPFORM PAVERS

- > Inset paving width up to 40 ft¹⁾
- > Inset paving height up to 18 in (450 mm)¹⁾

○

TEXTURE CURING MACHINES

- > Working width up to 59 ft
- > Working height up to 20 in (500 mm)

¹⁾ Special paving widths, paving thicknesses, paving heights, and other options available on request

OVERVIEW OF HIGHLIGHTS

Perfectly Equipped

MACHINE CONCEPT

01 Rugged Machine Design

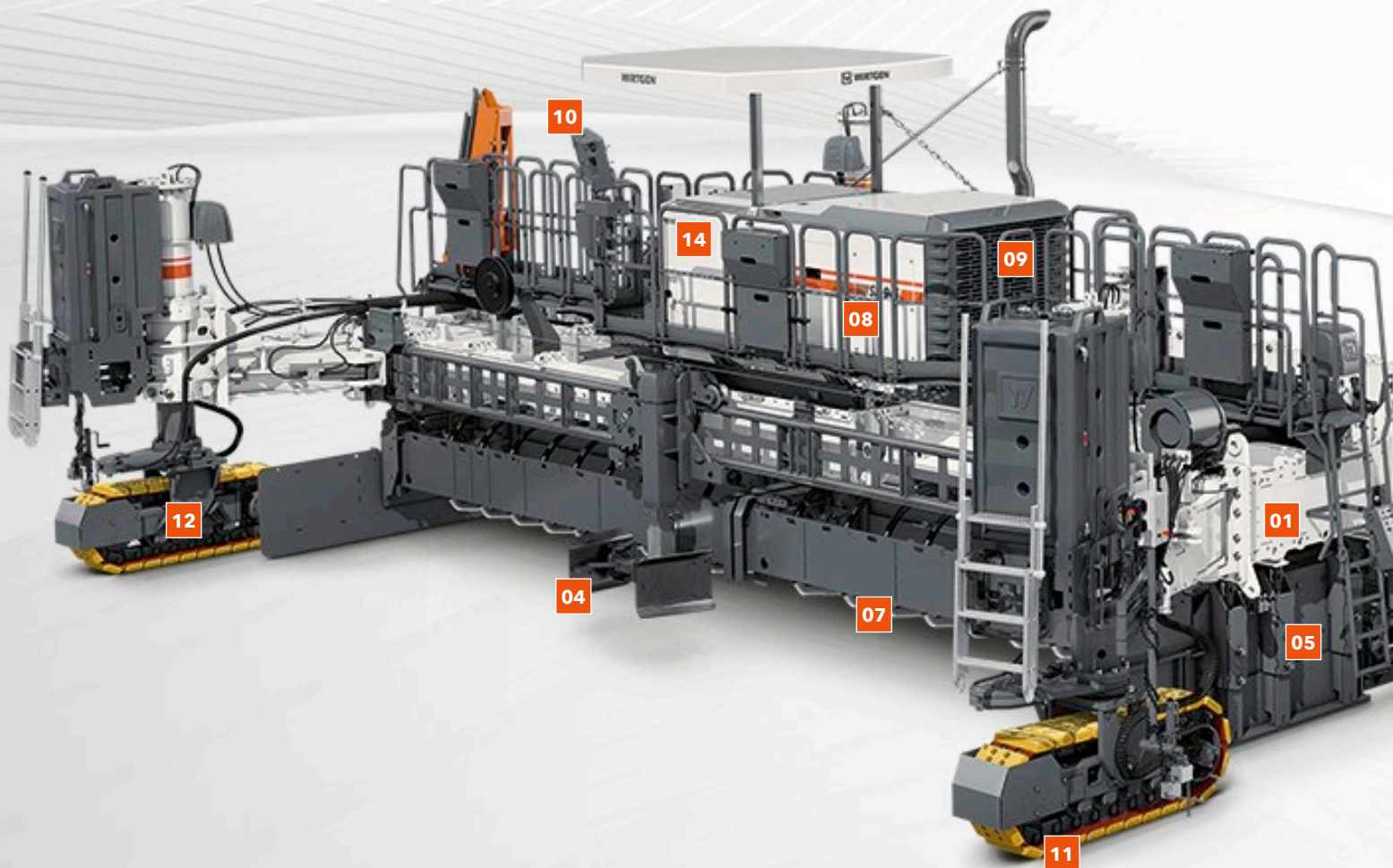
The machine's rugged design guarantees consistent, high-output concrete paving and precise paving results, even under difficult site conditions.

02 Fully Modular Machine Design

The machine's fully modular design means it's possible to flexibly modify, upgrade with new options, and adapt the machine to the specific job site situation.

03 Sophisticated Transport Concept

Compact dimensions and minimal time and effort needed to prepare the machine make loading easy and transport cost-effective. Depending on the configuration, the dowel bar inserter or oscillating beam, super smoother, and concrete spreader can remain mounted to the machine during transport.



CONCRETE PAVING EQUIPMENT

04 Highly Flexible Concrete Paving

The standard version of the slipform paver is capable of paving perfect and precise concrete surfaces from 6 ft to 32 ft wide* and up to 18 in (450 mm) thick.

05 Tried-And-Tested Paving Mold

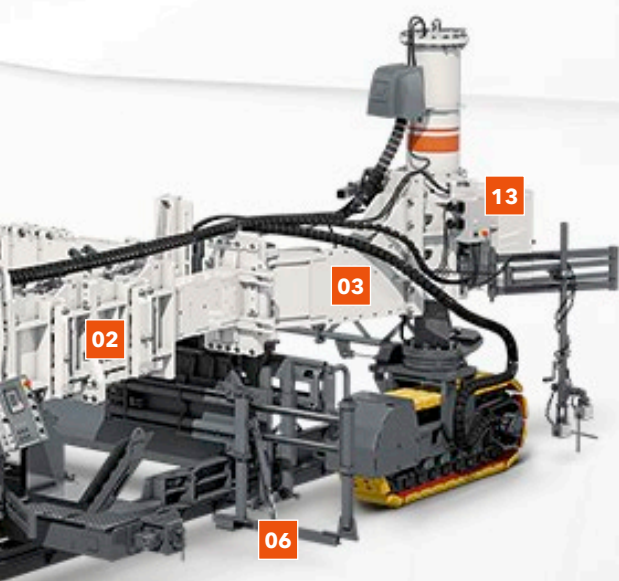
Compatible with the 1300 wi series of imperial inset paving molds. The 1300 wi series comes standard with a wear sole and can be equipped with an optional crown feature.

06 Reinforcement Insertion Built into the Machine

A self-loading dowel bar inserter, central bar inserter(s), and side tie bar inserter(s) are available on request.

07 Alternative Compaction Technology

Depending on site requirements, the machine can be equipped with a hydraulic or electric vibrator drive. The machines comes standard with 12 hydraulic connections (optional: 18 or 24), with 12, 20, or 28 electrical connections optional.



* = Paving width with central crown: 12 ft to 32 ft

ENGINE TECHNOLOGY AND OPERATION

08 Cost-Effective Engine Management

The "ECO mode" setting automatically adjusts engine power to the current performance requirements to ensure fuel-efficient diesel consumption and low noise emissions.

09 State-Of-The-Art Engine Technology

The SP 94i features cutting-edge, high-performance engine technology (231 kW / 310 HP / 314 PS) that meets US EPA Tier 4f emissions standards.

10 Perfect Ergonomics and Handling

The ergonomically designed operator's platform, the standardized, intuitive operating concept for all SP series' models, and exceptional visibility makes the job easier for the operator.

CONTROL AND STEERING

11 High-Precision Steering and Drive Systems

Intelligent steering and control systems for extremely smooth operation - even around tight curves - make high-precision concrete paving possible.

12 Productivity-Enhancing Steering

Numerous optional and standard steering features, like hydraulic swivel arms and the innovative worm gear steering, significantly increase site productivity.

13 Machine Control Systems Featuring Advanced Intelligence

WIRTGEN's efficient WITOS FleetView telematics system supports fleet management, position and status monitoring, as well as maintenance and diagnostic processes.

14 Field-Proven 3D Interface

The field-proven interface guarantees tested compatibility with leading suppliers' 3D control systems.

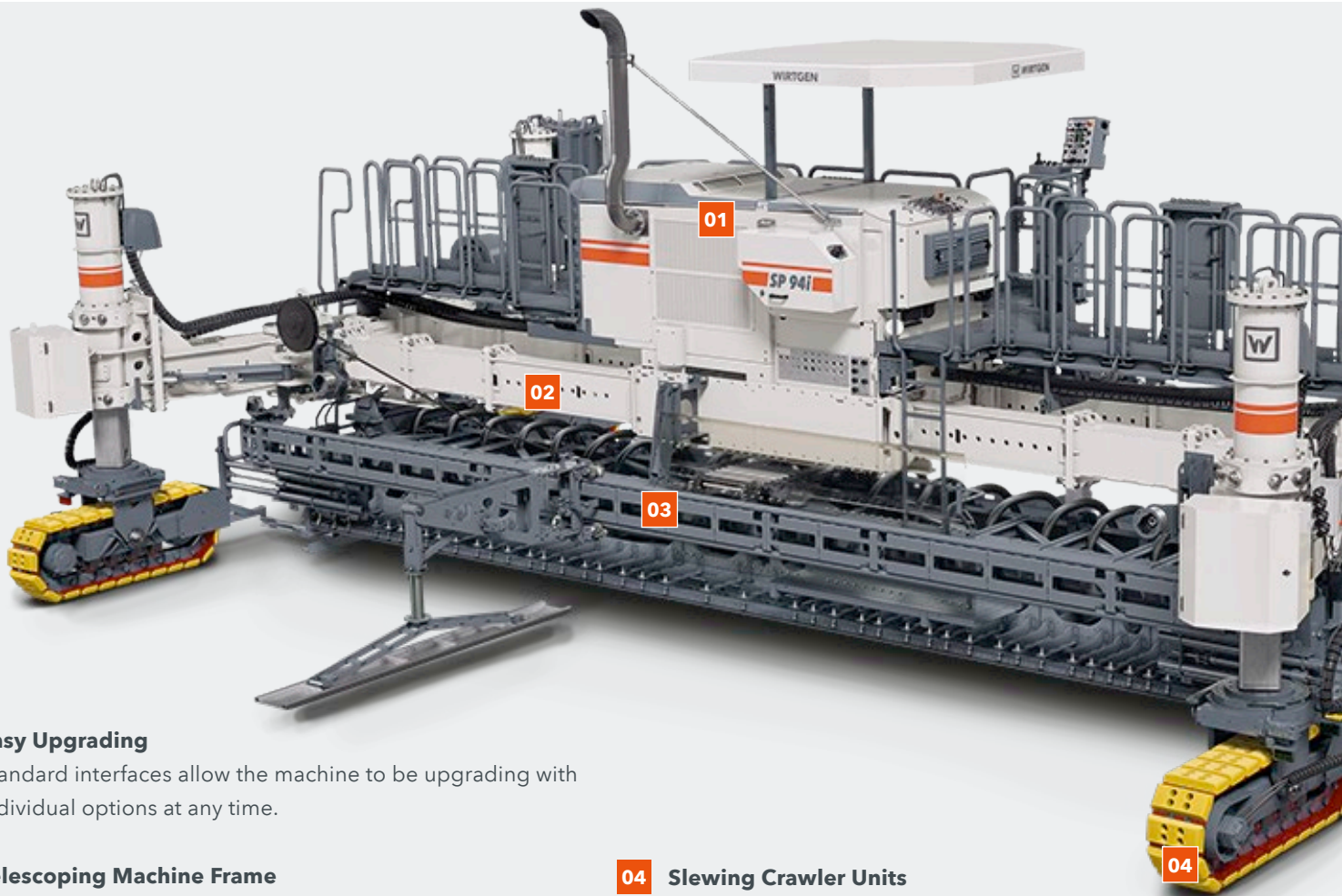
MACHINE CONCEPT

Precise and Efficient Concrete Paving

Extremely rugged machine construction

Fully Modular

Wide range of applications



01 Easy Upgrading

Standard interfaces allow the machine to be upgrading with individual options at any time.

02 Telescoping Machine Frame

The machine frame, which can be extended both lengthwise and sideways, allows the operator to adapt the machine to the requirements of the job site.

03 Fully Modular Machine Design

The machine's fully modular design helps solve a wide variety of inset paving challenges.

04 Slewing Crawler Units

Crawler units with a wide slewing angle guarantee maximum flexibility on the job site.

05 Simple Conversion

Easily convert and expand the machine with additional components to solve complex, customer-specific applications.



Rugged Design

The extremely rugged design of the machine frame, track units, and swivel arms makes high-precision paving results at maximum daily production rates possible.

Optimum Machine Weight

The intelligently adjusted machine weight results in a balanced combination of stable paving behavior and excellent transportability.

Rapid Conversion During Transport

The four movable swing legs (hydraulic legs available as an option) make it possible to switch quickly from transport to working mode and provide a great deal of flexibility when setting up the machine at a job site.

Easy Transport

Maneuverability and compact machine dimensions make transport as easy as possible.

Customizable Machine Technology

The ability to reliably adapt the machine technology to the respective job site situation increases both its range of applications and productivity.



Rugged machine design for high-output, precise concrete paving.

CONCRETE UNIT

Hydraulic Vibrators

The machine comes standard with 12 hydraulic connections to power the hydraulic vibrators (18 or 24 optionally available).

Electric Vibrators

The machine can be equipped with either 12, 20, or 28 electrical connections to power the electric vibrators.

Separate Side Tie Bar Inserters

The side tie-bars facilitate paving of adjacent lanes and stop the lanes drifting apart.

Automatic Longitudinal Tie Bar Inserter

Longitudinal tie bars are inserted automatically to prevent the slabs from drifting apart at the longitudinal joints.

Control Unit for Longitudinal Tie Bar Inserter

A separate control unit for each longitudinal tie bar inserter makes adjustments at the job site easy.

01 Spreader Plow or Auger

A spreader plow or spreading auger ensures that the concrete deposited in front of the mold is spread evenly.

02 Imperial Paving Molds

The 1300 wi series' imperial inset paving molds with wear soles guarantee professional concrete paving with stiff concrete consistency. Also available with the option of hydraulic ESC edge slump control for high-quality paving results.

03 Concrete Surfacing with Crown Profile

A concrete surface can be easily produced with a crown profile of 3% or multiple crown profiles (available as an option).

04 Oscillating Beam

In the case of concrete paving with a dowel bar inserter, the eccentric-powered, heavy-duty oscillating beam with automatic lifting function when the machine stops removes any irregularities in the concrete surface.

05 Super Smoother

The oscillating super smoother made of high-quality material ensures perfect surface quality. And it does not have to be dismantled for transport.

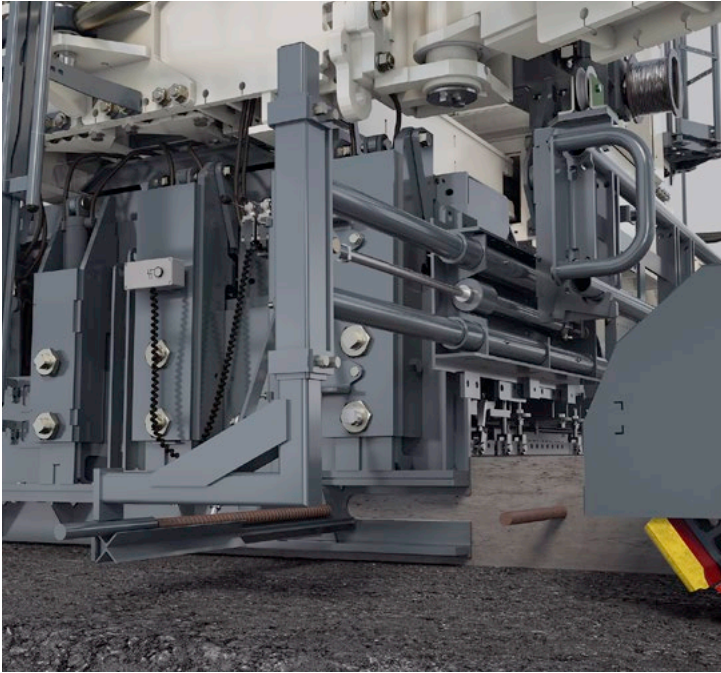
06 Concrete Surfaces 12 ft to 32 ft Wide

Precise, high-quality paving of road surfaces and areas from 12 ft to 32 ft wide.

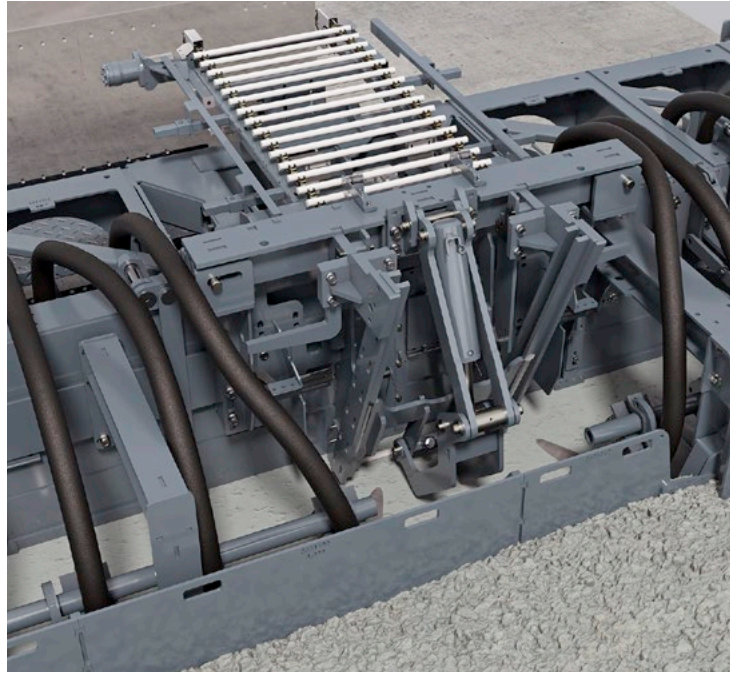
07 Paving Thickness of up to 18 in (450 mm)

Paving up to 18 in (450 mm) thick - greater paving thicknesses also possible upon request.

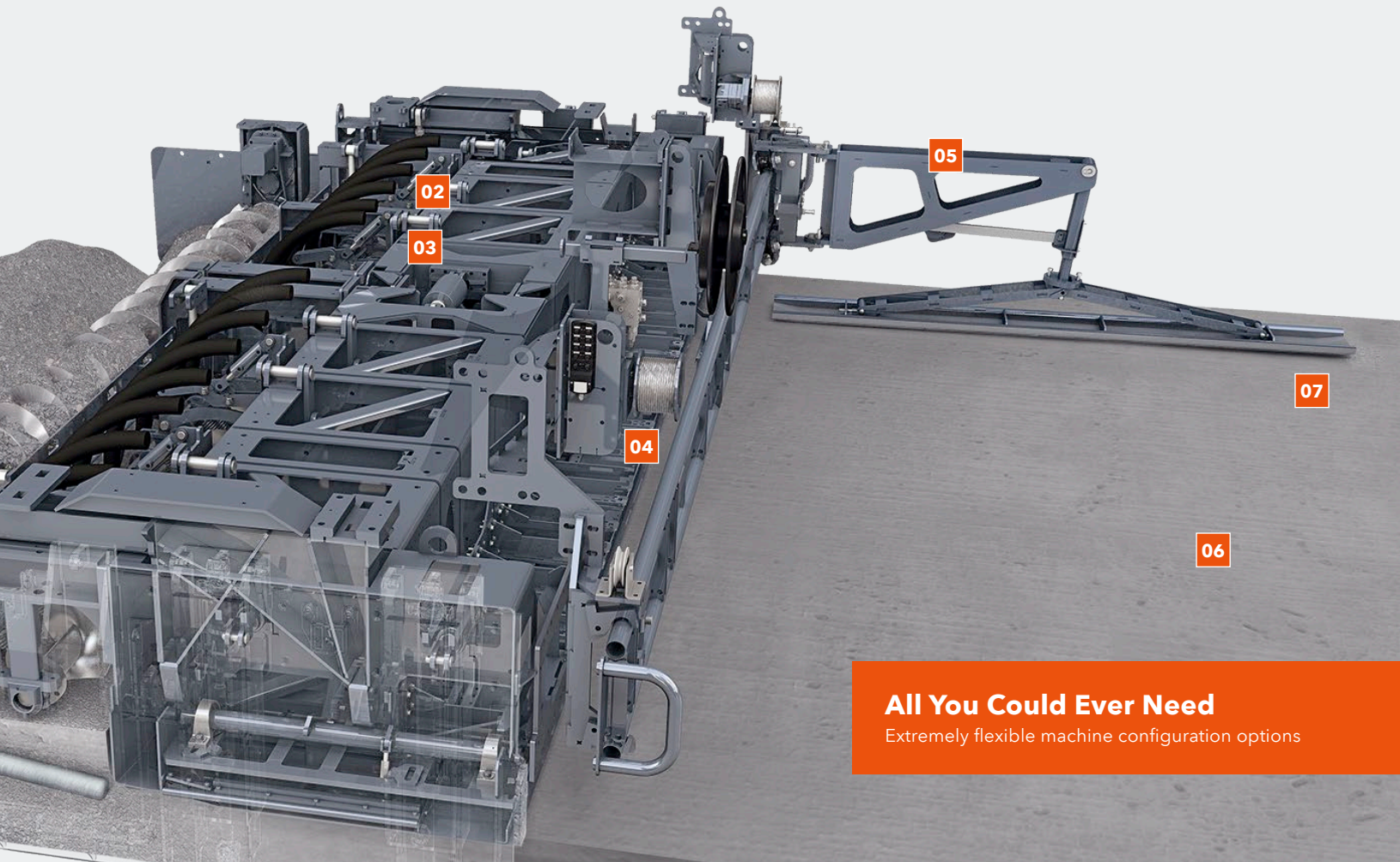




Separate side tie bar inserter.



Centrally positioned longitudinal tie bar inserter.



All You Could Ever Need

Extremely flexible machine configuration options

CONCRETE UNIT

01 Effective Dowel Bar Inserter

The inserted dowels secure the height of adjacent slabs and transfer shear forces from slab to slab.

02 Automated Dowel Bar Insertion Process

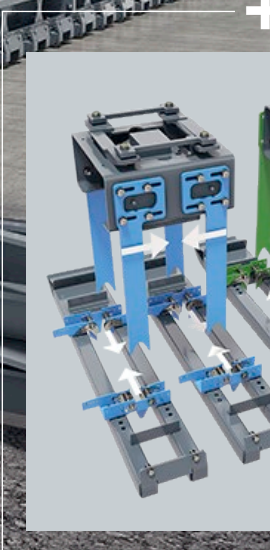
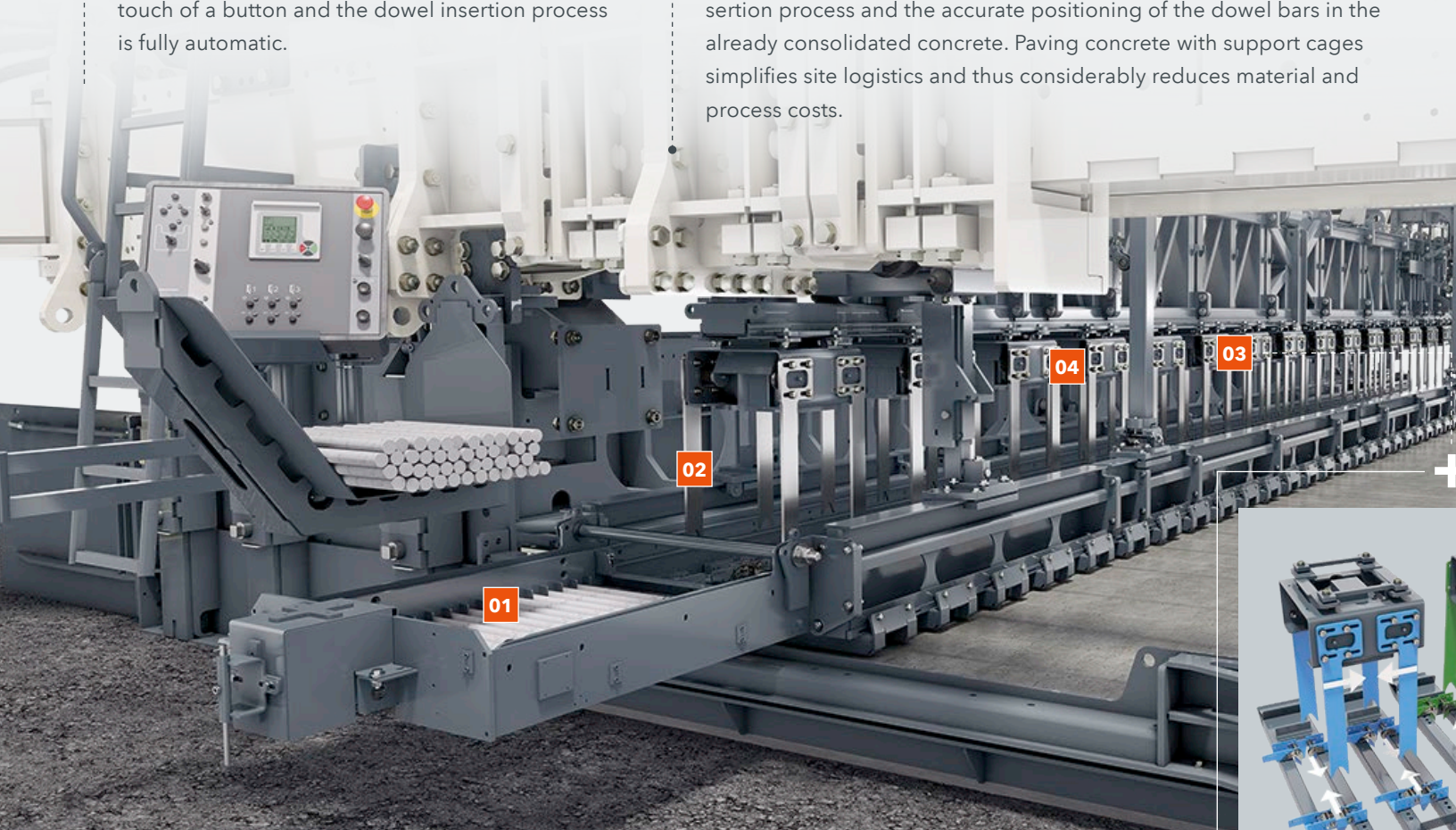
After manually loading the dowel distribution trolley, dowels are distributed automatically at the touch of a button and the dowel insertion process is fully automatic.

03 Minimum Effort with Varying Dowel-Bar Plan

The dowel bar inserter's modular design makes it easy to modify the dowel-bar plan (number, spacing, length, diameter of dowels) and requires very little effort to reconfigure the machine.

04 Optimized Dowel Bar Insertion Process

The combination of hydraulic cylinders with a built-in position measuring system and proportional valves optimizes the dowel bar insertion process and the accurate positioning of the dowel bars in the already consolidated concrete. Paving concrete with support cages simplifies site logistics and thus considerably reduces material and process costs.



Easy Transportation
Self-loading dowel bar inserter

Versatile and Reliable
Perfect dowel-bar insertion

Built-In Position Measuring System for Distance Measurement

Sensors built into the crawler units accurately determine the distance traveled and special software determines the distance between the next row of dowels or the next tie bar in the concrete.

Optimally Integrated Control

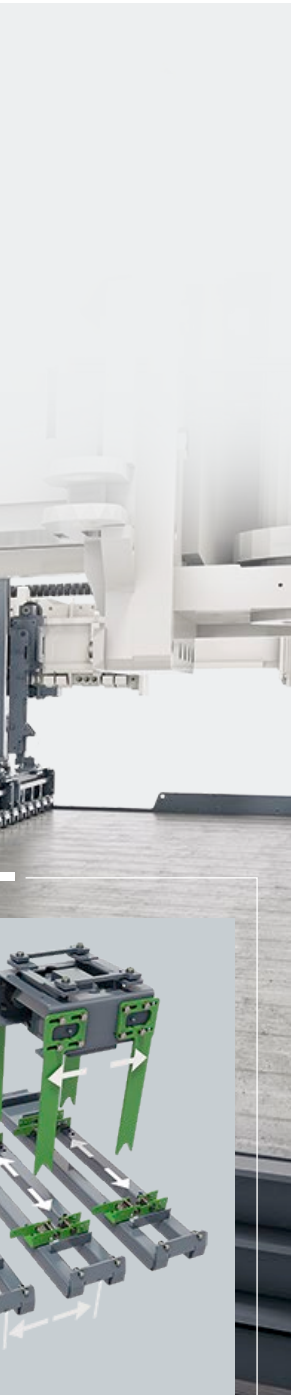
The dowel bar inserter's control system is fully integrated into the slipform paver's flexibly expandable CAN bus system.

Separate Control Panel for Inserters

The control panel with innovative software and a standardized operating concept for all SP series is fully integrated into the machine control system. It can be moved to any position and makes it easy to enter the dowel-bar plan and the dowel bar and tie bar inserters' insertion parameters.

Self-Loading Dowel Bar Inserter

The innovative self-loading technology makes it easy to transport the machine and quickly set it up on site without the need for expensive loading cranes. The heavy-duty hydraulic cylinders remain mounted on the dowel bar inserter both during transport and when in operation.



Self-loading dowel bar inserter.

ENGINE TECHNOLOGY AND OPERATION



Stress-Free Workplace

Ergonomically designed operator's platform

Quiet and Economical

Efficient ECO mode

01 Ergonomics

The ergonomically designed operator's platform increases the operator's performance and thus the productivity of the entire machine.

02 State-Of-The-Art Control Panel

Its control panel with easily understood language-neutral symbols promotes productivity.

03 Standardized Operating Concept

The standardized, self-explanatory operating concept used on all the different SP series' models offers additional synergy effects.

04 Performance-Optimized and Operator-Friendly ECO Mode Engine Management

Automatically adapting engine output according to performance requirements guarantees optimum engine efficiency, economical diesel consumption, and low noise emissions. The ECO mode detects every working situation without any operator intervention.



Ergonomically optimized, clearly organized control panel.

Engine Technology for US EPA Tier 4f

The SP 94 i's powerful diesel engine meets the stringent requirements of the US EPA Tier 4f emissions standards.

Powerful Engine

The powerful engine guarantees effective concrete paving in the optimum power and torque range at all times.

Perfect Visibility

The spacious operator's platform provides a perfect view of the paving process.

Telescoping Weather Canopy

The weather canopy can be extended electro-hydraulically, even when the engine is switched off, allowing the operator to work in all weather conditions.

Fast Maintenance

Easy access to the maintenance and inspection points minimizes maintenance requirements.

CONTROL AND STEERING

High-Quality Machine Control System

The high-quality machine control system using proprietary software increases both operating safety and the slipform paver's range of applications.

Service Diagnostics System

WIDIAG, the service diagnosis system with a standardized interface, allows technicians to quickly troubleshoot errors directly on site.

Extensible CAN-Bus System

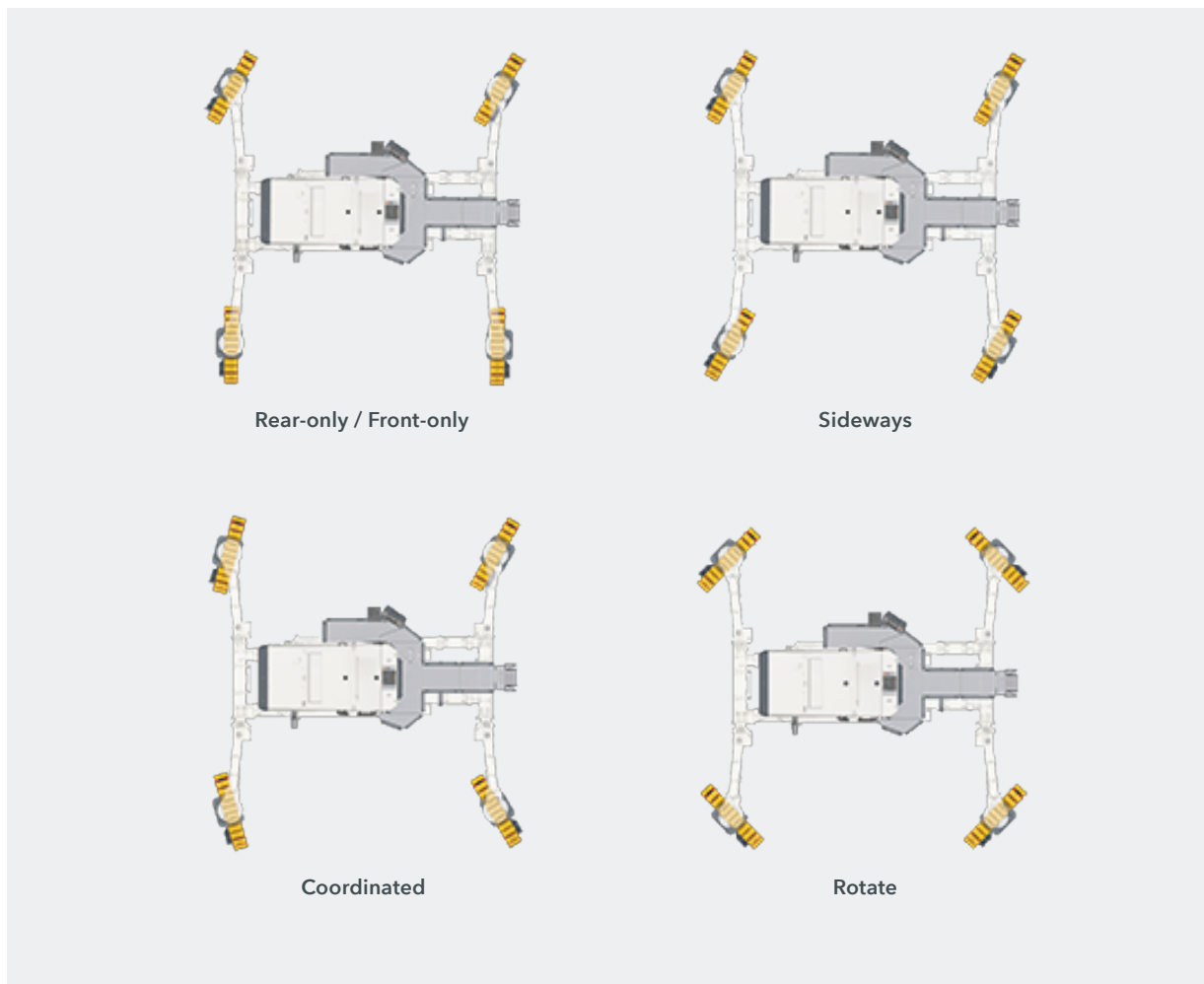
The standard CAN bus system can be expanded to easily upgrade with new options.

Efficient WITOS Telematics System

WIRTGEN's WITOS FleetView telematics system supports fleet management, position and status monitoring, as well as maintenance and diagnostic processes.

Standardized, Optional Interface for 3D Controls

The built-in standard interface perfectly meets the requirements for concrete paving using state-of-the-art 3D systems. Thorough acceptance procedures to ensure compatibility with 3D control systems from leading suppliers guarantee a high degree of operational reliability.



Different steering modes available on the SP 94 i.

Outstanding Reliability

Software developed in-house

Exact Paving around Corners

Automatic speed variation for all four track units

01 High-Precision Drive Control

The high-precision control of the advance motors guarantees jerk-free travel, even at minimum speed.

02 Steering Angle Sensor Adjustment

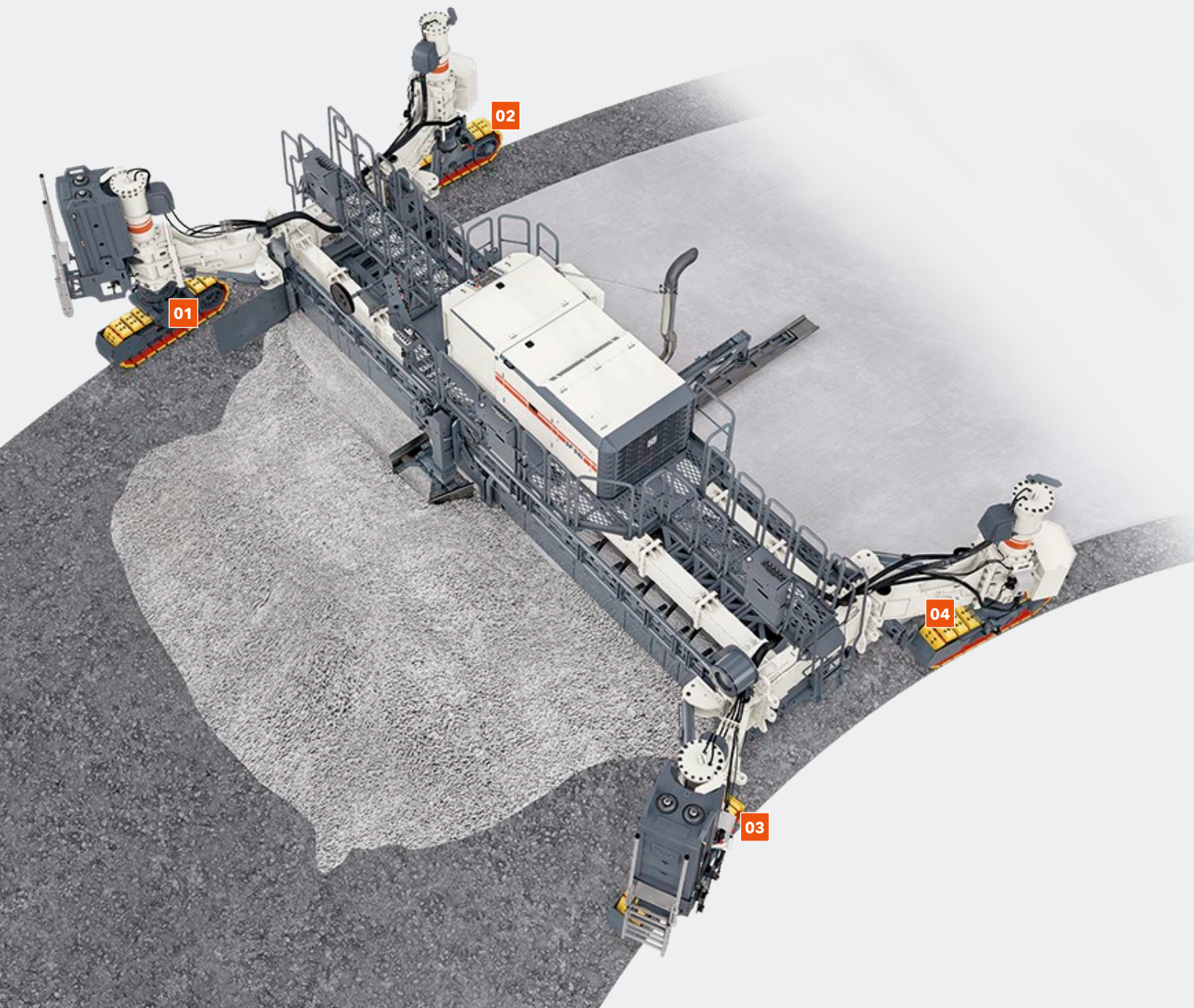
On the SP 94 i, the steering angle positions of the four track units are adjusted fully automatically to optimize driving performance and thus precise concrete paving.

03 Four Steering Modes

Four different steering modes make turning and maneuvering easy.

04 Speed Adjustment

The computer-assisted speed adjustment of each individual track unit enables specifications to be adhered to with pinpoint precision, even when paving around curves.



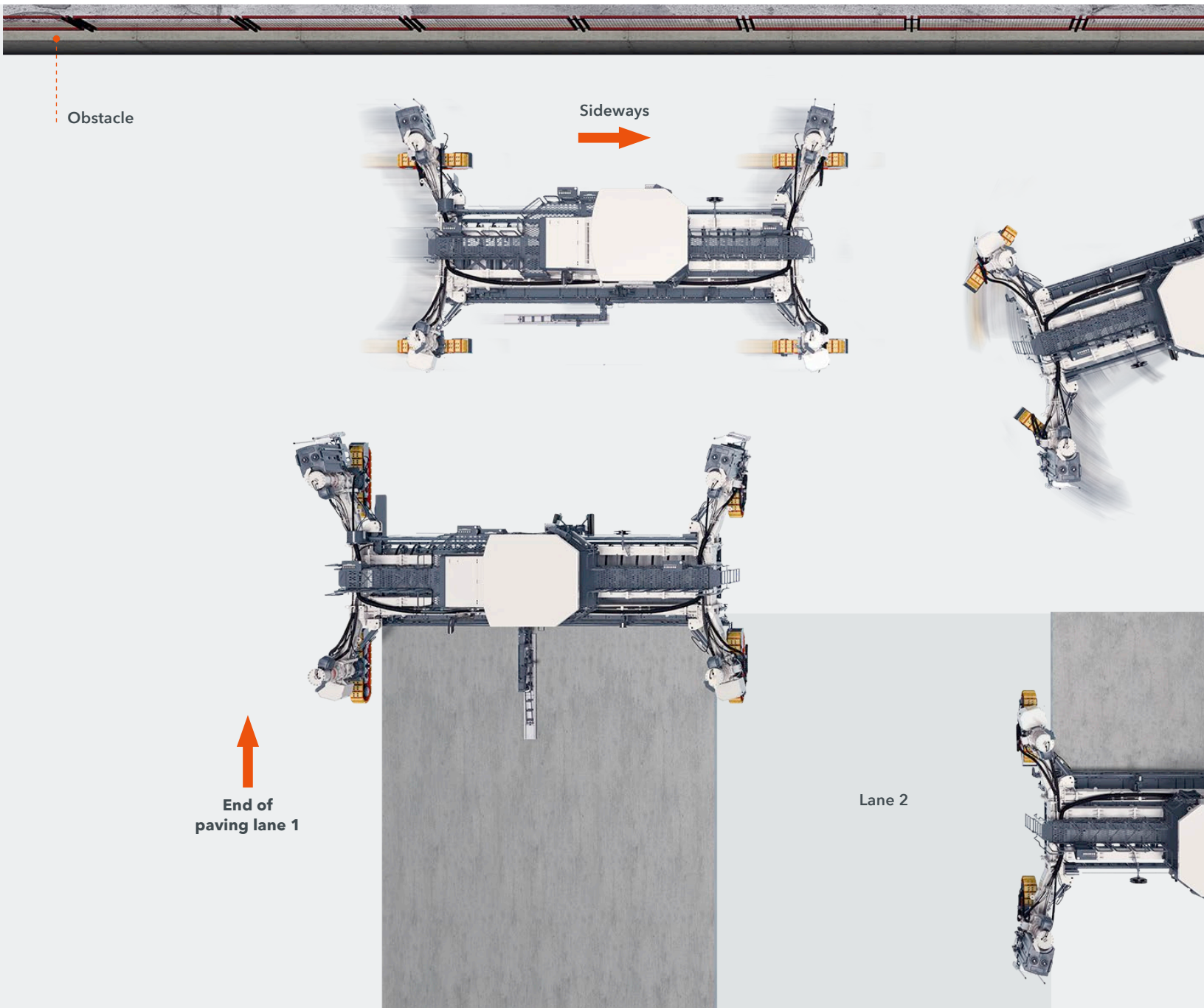
CONTROL AND STEERING

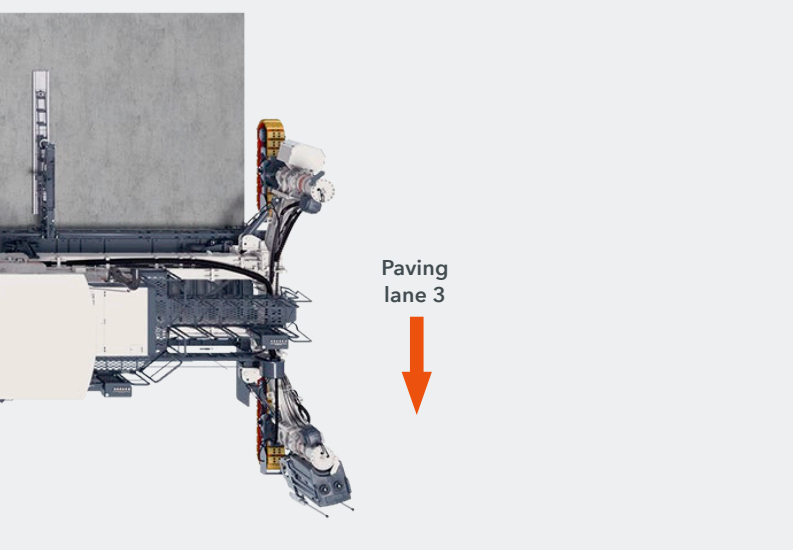
The Ace-in-the Hole in Tight Spaces

Enormously large steering angle

Fast Turning

Turns on the spot





Innovative Worm Gear Steering

The crawler units' steering angles of up to 100° to the left and 160° to the right increase flexibility, such as the ability to easily approach obstacles, particularly on tight job sites.

Crab Mode with Track Units at a Steering Angle of 90° to the Side

Worm gear steering allows the machine move sideways with the crawler units rotated by 90°. At the same time, this reduces time-consuming manual paving at the end of the lane, which is often necessary on cramped sites, to a minimum.

Rotating Around its Own Axis

Rotating the machine around its own axis by means of widely swiveling crawler units eliminates the need for time-consuming turning maneuvers in confined construction site conditions.

Paving Plus Package

The additional sensors that can be integrated into the swivel arms optimize machine control.

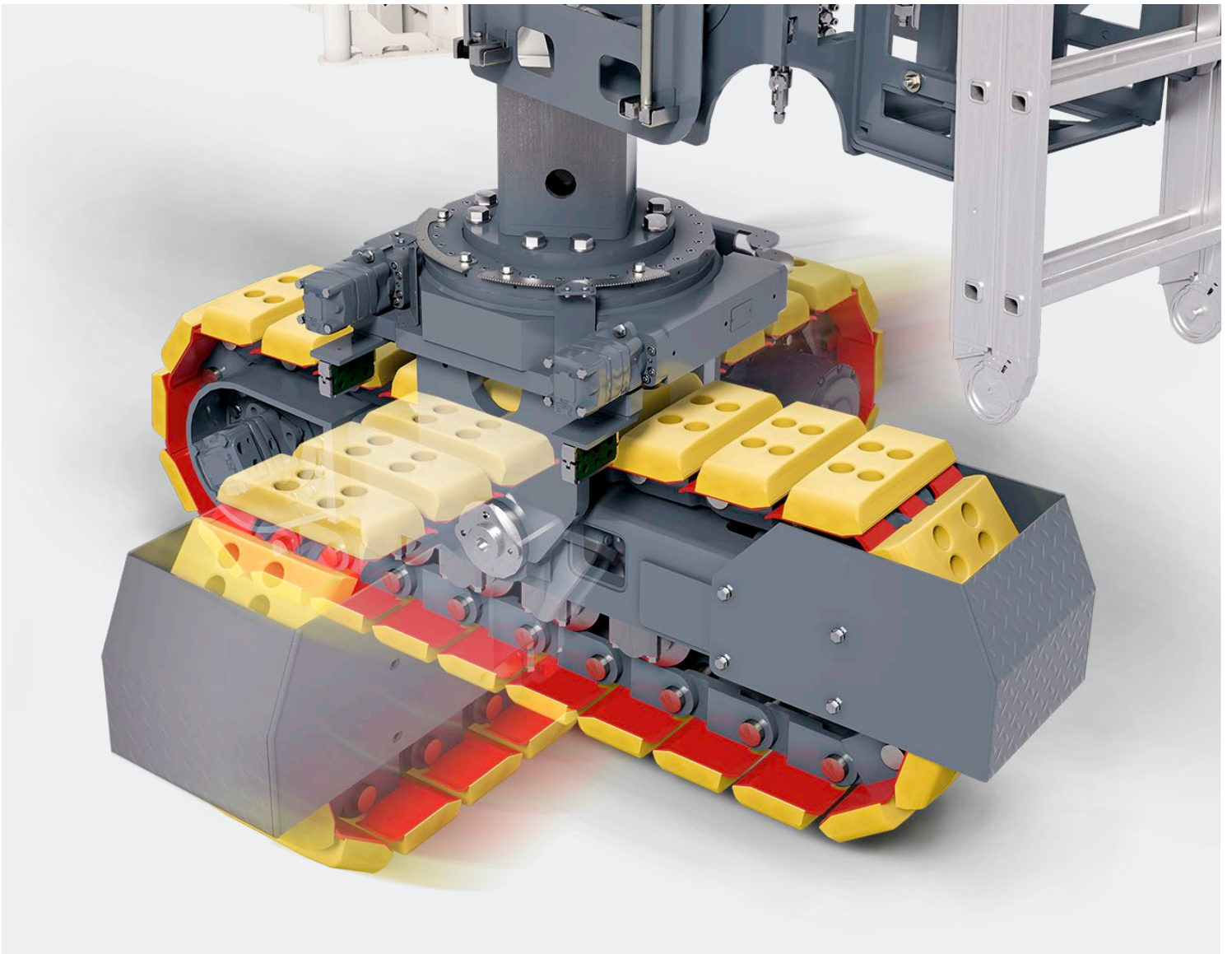
CONTROL AND STEERING

Hydraulically Adjustable Swivel Arms for Easy Transport

The ability to quickly switch all four swivel arms from the transport to the operating position and vice versa within just a few minutes greatly simplifies machine transport.

Hydraulically Adjustable Swivel Arms for Increased Ergonomics

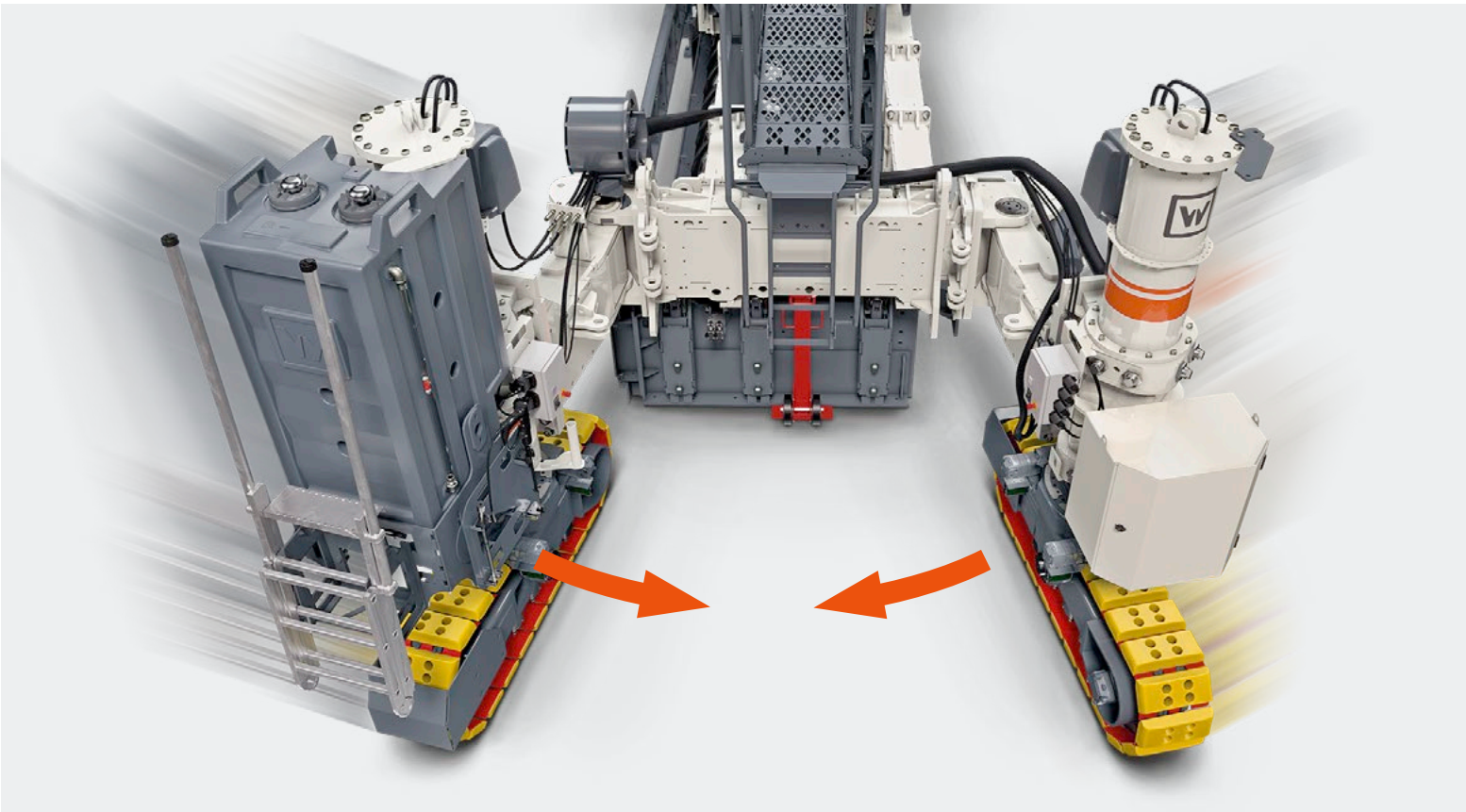
The ability to hydraulically adjust the swivel arms without the need for much force increases ergonomics and user-friendliness.



Worm gear steering with track units rotated by 90°.

Optimized Machine Transportation

Hydraulically adjustable swing legs



Hydraulic swivel arms for easy transport and a high degree of flexibility on the job site.

The cost-effective 4-track slipform paver stands out for its enormous variety of applications in large-scale road and airport construction from 6 ft to 32 ft wide and 18 in (450 mm) thick (cannot be combined with all options). The machine concept makes it possible to produce exceptionally flat surfaces. The fully modular machine design, simple conversion and expansion options, and hydraulic swing arms make the machine highly adaptable to any job site situation.



TECHNICAL SPECIFICATIONS SP 94 i

Range of Applications

Slab paving application without central crown

Paving width: 6 ft to 32 ft¹⁾
Layer thickness: up to 18 in (450 mm)¹⁾

Slab paving application with central crown

Paving width: 12 ft to 32 ft¹⁾
Layer thickness: up to 18 in (450 mm)¹⁾

Concrete Spreading

Spreading auger

Modular extension to up to 32 ft

Spreading plow

Modular extension to up to 32 ft

Slab Paving Equipment

Slab paving mold type 1300 wi
(including wearing pan, including or excluding crown function)

Modular extension to up to 32 ft

Dowel bar inserter (DBI)

Modular extension to up to 32 ft

Oscillating beam

Modular extension to up to 32 ft²⁾

Super smoother

Modular extension to up to 32 ft

Longitudinal joint tie bar inserter in front of mold

1 or 2

Side tie bar inserter

Right and / or left

Vibrators and Circuits

Hydraulic vibration

12 connectors (optional: 18 or 24 connectors)

Electric vibration

12 connectors (optional: 20 or 28 connectors)

Hydraulically driven vibrators

Curved (D66)

Electrically driven vibrators

Curved (D76)

Engine

Engine manufacturer

Cummins

Type

QSL9 C-310

Cooling

Water

Number of cylinders

6

Rated power at 2,100 rpm

231 kW / 310 HP / 314 PS

Displacement

543 in³ (8,900 cm³)

Fuel consumption, full load

16.5 gal/h (62.5 l/h)

Fuel consumption, ²/₃ load

11.0 gal/h (41.7 l/h)

Exhaust emission standards

US EPA Tier 4f

TECHNICAL SPECIFICATIONS SP 94i

Electrical System

Electrical power supply	24 V DC
Electric vibration	110 V AC 3~/ 200 Hz

Tank Capacities

Fuel	132 gal (500 l)
AdBlue®/DEF ²⁾	15 gal (57 l)
Hydraulic oil, electric vibration	66 gal (250 l)
Hydraulic oil, hydraulic vibration	100 gal (380 l)
Water	145 gal + 145 gal (550 l + 550 l)

Driving Properties

Paving speed	0 to 23 ft/min (0 to 7 m/min)
Travel speed in travel gear	0 to 72 ft/min (0 to 22 m/min)

Crawler Units

Number	4
Type B4: dimensions (L x W x H)	6 ft 10 in x 14 in x 28 in (2,090 x 350 x 712 mm)

Height Adjustment

Hydraulic	3 ft 3 in (1,000 mm)
Mechanical	18 in in (470 mm)

Central Crown

Variable adjustment range	For paving widths of 6 ft to 26 ft: max. 3% ³⁾ For paving widths of 26 ft to 32 ft: max. 2% ³⁾
---------------------------	---

Transport Dimensions (L x W x H)

Paving width 12 ft: Machine including slab paving mold type 1300 wi, including spreading plow and super smoother	30 ft 2 in x 9 ft 10 in x 10 ft 2 in (9,200 x 3,000 x 3,100 mm)
Paving width 30 ft: Machine including slab paving mold type 1300 wi, including spreading plow and super smoother	49 ft 10 in x 9 ft 10 in x 10 ft 2 in (15,200 x 3,000 x 3,100 mm)

Machine Weights

Operating weight CE ⁴⁾	67,241 - 165,347 lbs (30,500 - 75,000 kg)
-----------------------------------	---

¹⁾ Please consult factory for special paving widths, layer thicknesses, and optional equipment features

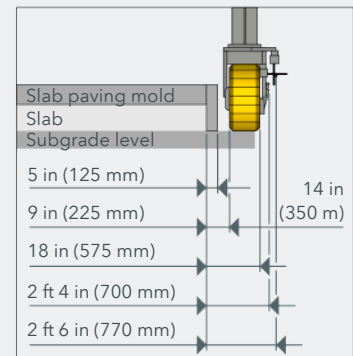
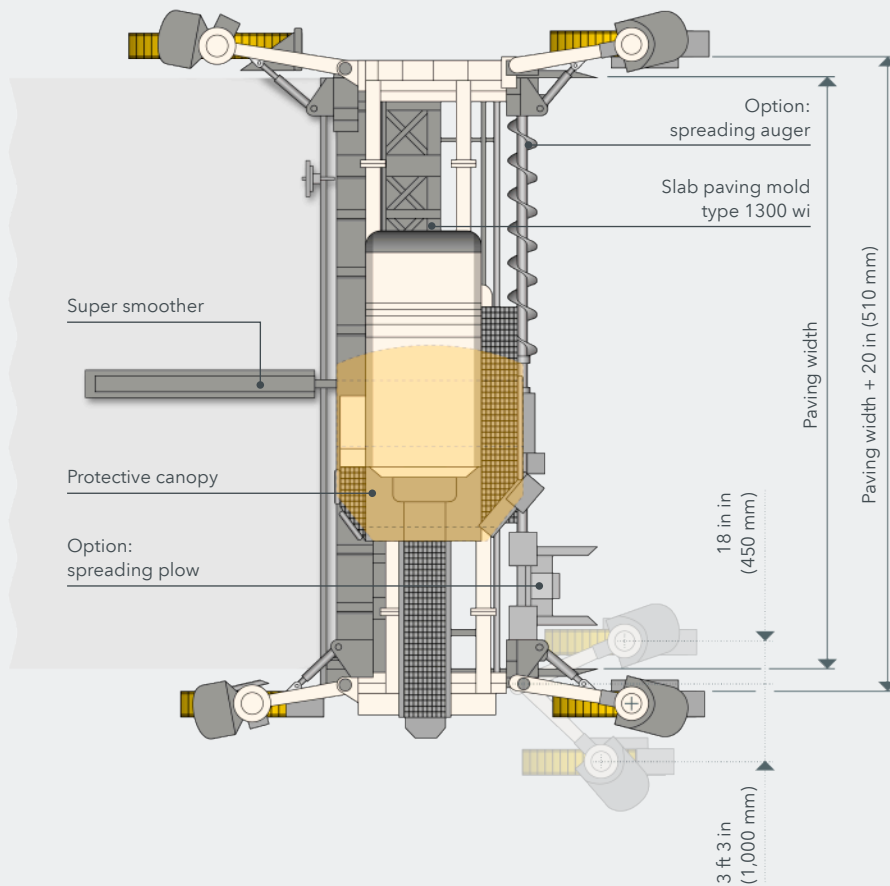
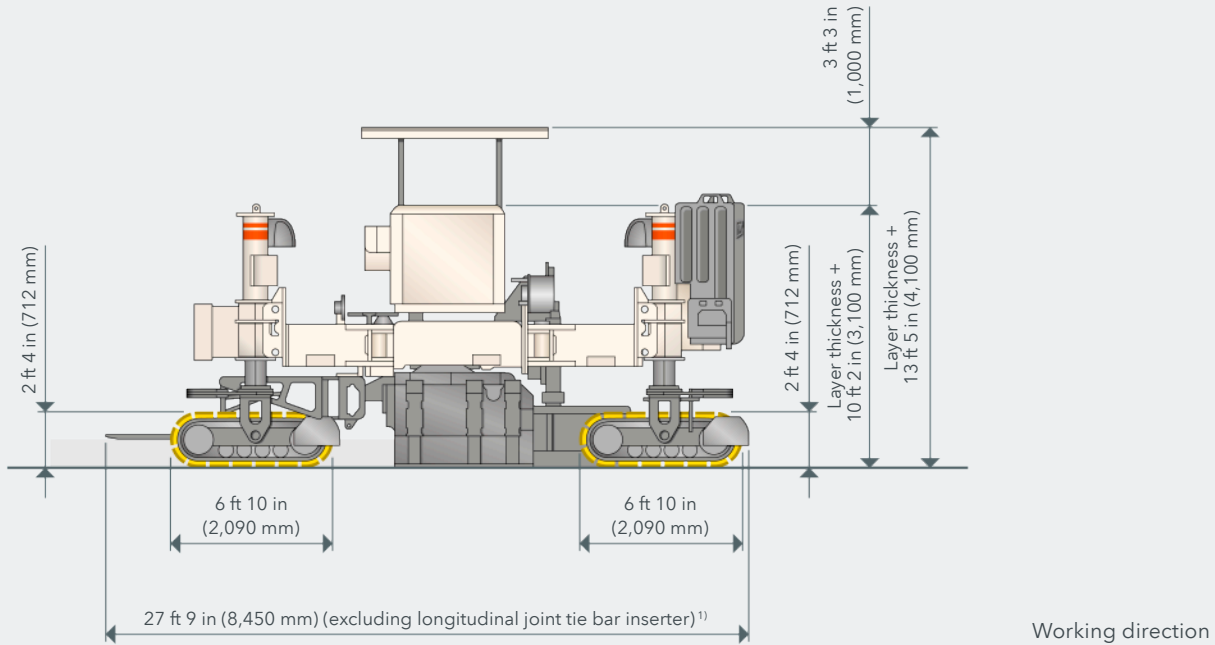
²⁾ AdBlue® is a registered trademark of the German Association of the Automotive Industry (Verband der Automobilindustrie e. V.; VDA)

³⁾ Values within standard transport height; please consult factory for special dimensions

⁴⁾ Weight of machine, half weight of all consumables, machine operator (165.3 lbs (75 kg)), on-board tool kit, no optional equipment; weights depend on the actual equipment installed and the working width

SIDE VIEW / TOP VIEW SLIPFORM PAVER SP 94i

Paving situation: slipform paver SP 94i equipped with spreading auger or spreading plow, slab paving mold type 1300 wi, and super smoother

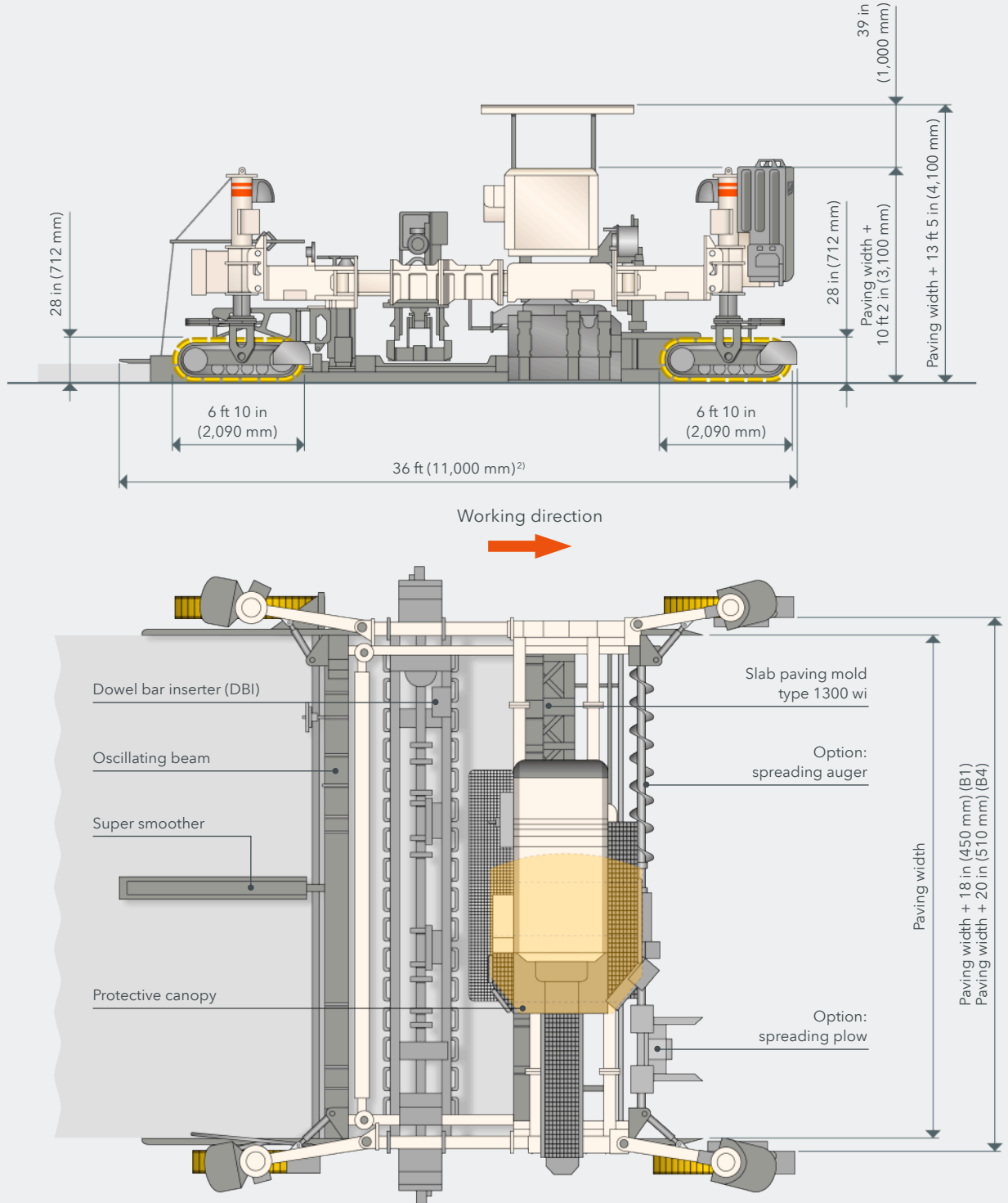


Minimum space required for track units at a paving width \geq 9 ft 10 in (3.0 m) (excluding side tie bar inserter)

¹⁾ Longitudinal joint tie bar inserter and side tie bar inserter not shown

TOP VIEW SLIPFORM PAVER SP 94 i

Paving situation: slipform paver SP 94i equipped with spreading auger or spreading plow, slab paving mold type 1300 wi, dowel bar inserter (DBI), oscillating beam, and super smoother

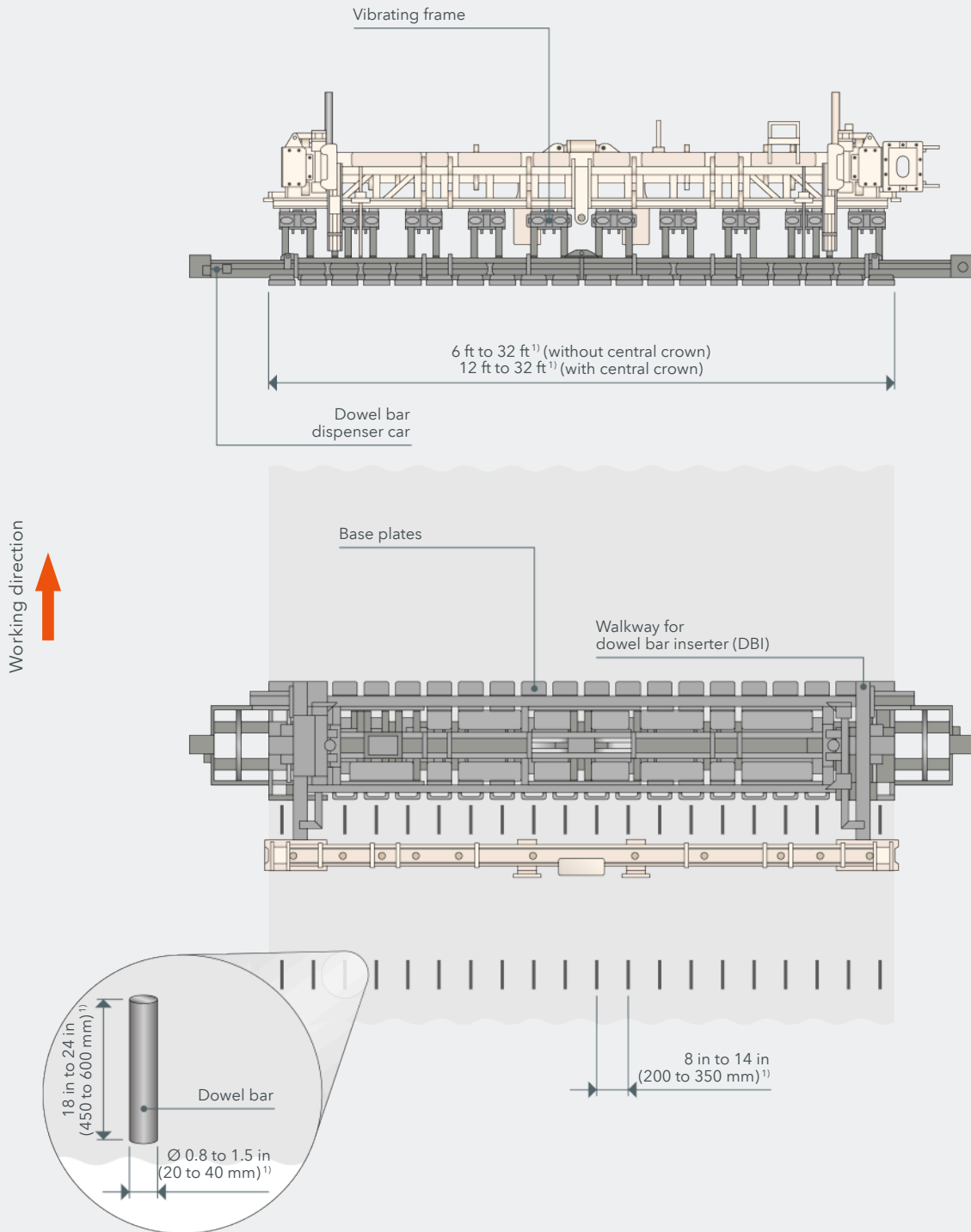


Side tie bar inserter not included in illustration

²⁾ Applies to standard longitudinal joint tie bar inserter (non-pivotable)

TOP VIEW SLIPFORM PAVER SP 94 i

Dowel bar inserter (DBI) (optional equipment feature)



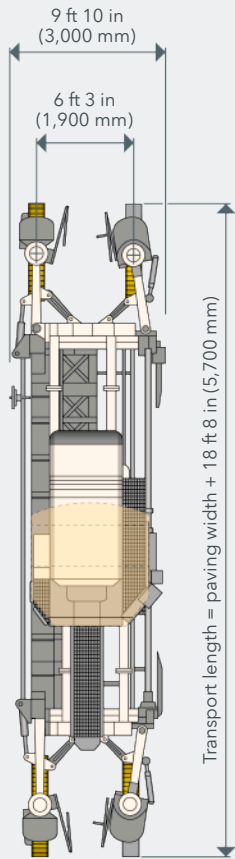
¹⁾ Applicable for the range of dowel bar dimensions specified; for other dimensions, please consult factory. The dowel bar inserters will be customized in accordance with preselected customer requirements.

TOP VIEW SLIPFORM PAVER SP 94 i

Transport situation: slipform paver SP 94i equipped with spreading auger or spreading plow, slab paving mold type 1300 wi, and super smoother

Transport situation: slipform paver SP 94i equipped with spreading auger or spreading plow, slab paving mold type 1300 wi, dowel bar inserter (DBI), oscillating beam, and super smoother

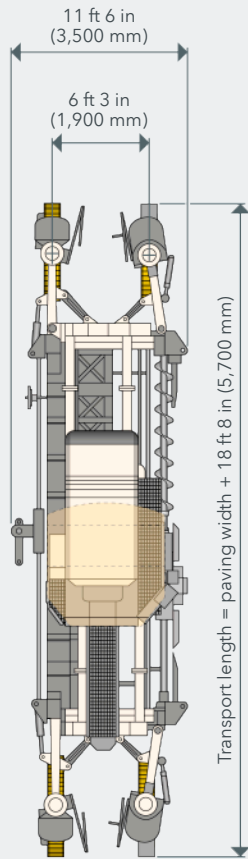
Option A²⁾:



Transport height:
10 ft 2 in (3,100 mm)

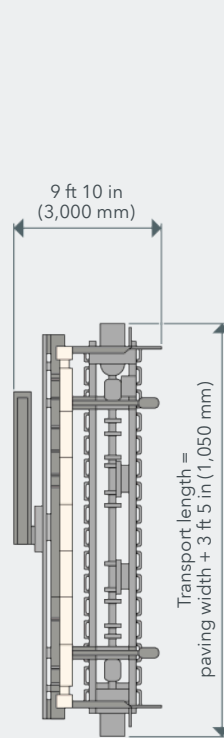
- To be removed³⁾:**
- Super smoother carriage
 - Linkage of hydraulic pivoting legs, front

Option B²⁾:



Transport height:
10 ft 2 in (3,100 mm)

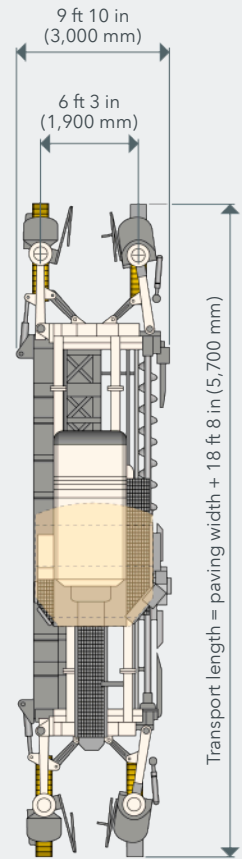
- To be removed³⁾:**
- Screed plate of super smoother



Transport height:
8 ft 4 in (2,550 mm)

- Transport unit comprising³⁾:**
- Dowel bar inserter (DBI)
 - Oscillating beam
 - Super smoother

+



Transport height:
10 ft 2 in (3,100 mm)

- Transport unit comprising³⁾:**
- Machine tractor
 - Slab paving mold
 - Concrete spreading unit
 - Removed: linkage of hydraulic pivoting legs, front

²⁾ Longitudinal joint tie bar inserter not included (additional transport unit)

³⁾ Removal of additional components may be necessary depending on machine configuration

STANDARD EQUIPMENT SP 94 i**Basic Machine**

- > Hydraulic system including an generously dimensioned hydraulic oil tank and a pump transfer gearbox with four output shafts and the pumps required for the machine's basic equipment package ■
- > Cooling system with temperature-controlled fan speed ■
- > Electrical system (24 V) ■
- > Fuel tank 132 gal (500 l) ■

Main Frame and Height Adjustment

- > Heavy-duty steel frame, telescoping in stages by total 9 ft (2.75 m) on both sides, can be optionally extended by fixed extension pieces ■
- > The machine frame is pre-fitted with multiple mounting points for the modular addition of a variety of equipment features ■
- > Concrete equipment ranging from 6 ft 7 in (2.00 m) to 20 ft 6 in (6.25 m) in width can be connected to the machine frame; optional extension to working widths of up to 31 ft 2 in (9.50 m) ■
- > Frame elements for mechanical telescoping in increments to working widths of up to 20 ft 6 in (6.25 m) □

Crawler Units and Chassis Linkage

- > Four height-adjustable B4 track units, 14 in (350 mm) wide, including cylinder steering □

Machine Control, Leveling and Steering

- > WI-CONTROL - high-quality control system ensuring perfect interaction between all machine features ■
- > Error messages are displayed on the machine's control screen ■
- > The existing CAN-bus system can be expanded to customer specifications ■
- > ECO mode: performance-optimized engine management system for reduced diesel consumption and low noise emissions ■
- > Proportional electrohydraulic leveling and steering by means of a PLC system including four leveling sensors and two steering sensors ■
- > Sensor mounting brackets, adjustable in height and range ■
- > Four hydraulic leveling cylinders with a stroke of 3 ft 3 in (1.00 m) ■

Vibration

- > Hydraulic vibrator drive for max. 12 vibrators □
- > 10 curved vibrators D66, hydraulically driven □

Concrete Equipment for Slab Paving

- > Paving molds series 1310 wi, without crown - basic width 12 ft □
- > Flat inserts for the outer edges of the mold series 1310 wi □

STANDARD EQUIPMENT SP 94 i

Operator's Platform

> Ergonomically designed operator's platform providing a perfect view of the paving process	■
> Three control panels with clear, language-independent labeling for ergonomic operation	■
> Control panel 1 for machine setup according to site requirements	■
> Control panel 2 with multifunctional control screen providing the operator with all relevant machine parameters and allowing settings to be made via a menu	■
> The control panel can be adjusted to all directions of travel and paving configurations	■
> Control panel 3 for controlling the concrete equipment	■
> Two control panels can be stored in the engine compartment; the third control panel can be protected against vandalism and weather by means of a lockable cover	■
> Automatic recognition of each machine configuration provides easy orientation for the machine operator	■

Miscellaneous

> Paving Plus package: pivot angle display, speed indicator and fully digital Ackermann steering	■
> Large tool kit in lockable tool box	■
> Comprehensive safety package with EMERGENCY STOP switches	■
> Filling of the machine's hydraulic system with mineral hydraulic oil	■
> Pre-fitting for installing the WITOS FleetView control unit	■
> Standard painting in RAL 9001 (cream)	□
> WITOS - professional telematics solution for machine operation and service optimization	□
> Lighting system including 4 halogen working lights, 24 V	□

- = Standard equipment
- (grey) = Standard equipment, can be replaced with optional equipment if desired
- (white) = Optional equipment



OPTIONAL EQUIPMENT SP 94 i

Main Frame and Height Adjustment

> Frame elements or mechanical telescoping in increments to working widths of up to 26 ft 3 in (8.00 m)	<input type="checkbox"/>
> Frame elements for mechanical telescoping in increments to working widths of up to 31 ft 2 in (9.50 m)	<input type="checkbox"/>
> Frame elements for continuous hydraulic telescoping to working widths of up to 20 ft 6 in (6.25 m), including extension elements	<input type="checkbox"/>
> Frame elements for continuous hydraulic telescoping to working widths of up to 26 ft 3 in (8.00 m)	<input type="checkbox"/>
> Frame elements for continuous hydraulic telescoping to working widths of up to 31 ft 2 in (9.50 m)	<input type="checkbox"/>
> Extension of walkway allowing the operator to pass from one side of the machine to the other, 31 ft 2 in (9.50 m)	<input type="checkbox"/>

Crawler Units and Chassis Linkage

> Four height-adjustable B4 track units, 14 in (350 mm) wide, including hydraulic rotational drives	<input type="checkbox"/>
---	--------------------------

Machine Control, Leveling and Steering

> Cross-slope sensor for machine	<input type="checkbox"/>
> Two slab tracers	<input type="checkbox"/>
> Four slab tracers	<input type="checkbox"/>
> Control unit for manual track unit steering	<input type="checkbox"/>
> Pre-fitting for 3D leveling	<input type="checkbox"/>
> Electrical fitting for external 3D leveling	<input type="checkbox"/>
> Additional slope sensors for 3D leveling	<input type="checkbox"/>

Concrete Spreading Equipment for Slab Paving

> Spreading auger without crown - basic width 12 ft	<input type="checkbox"/>
> Split spreader auger with/without crown - basic width 12 ft	<input type="checkbox"/>
> Spreading plow - basic width 12 ft	<input type="checkbox"/>
> Spreading auger - extension element 1.00 ft, right-hand pitch	<input type="checkbox"/>
> Spreading auger - extension element 1.50 ft, right-hand pitch	<input type="checkbox"/>
> Spreading auger - extension element 2.00 ft, right-hand pitch	<input type="checkbox"/>
> Spreading auger - extension element 4.00 ft, right-hand pitch	<input type="checkbox"/>
> Spreading auger - extension element 1.00 ft, left-hand pitch	<input type="checkbox"/>
> Spreading auger - extension element 1.50 ft, left-hand pitch	<input type="checkbox"/>
> Spreading auger - extension element 2.00 ft, left-hand pitch	<input type="checkbox"/>
> Spreading auger - extension element 4.00 ft, left-hand pitch	<input type="checkbox"/>
> Screw-on tube widening elements for base widths up to 20 ft 6 in (6.25 m)	<input type="checkbox"/>
> Spreading plow - extension element 20 ft 6 in to 26 ft 3 in (6.25 to 8.00 m)	<input type="checkbox"/>
> Spreading plow - extension element 26 ft 3 in to 31 ft 2 in (8.00 to 9.50 m)	<input type="checkbox"/>

OPTIONAL EQUIPMENT SP 94 i

Vibration

> Hydraulic vibrator drive for max. 18 vibrators	<input type="checkbox"/>
> Hydraulic vibrator drive for max. 24 vibrators	<input type="checkbox"/>
> Electric vibrator drive with 60-kVA generator for max. 12 vibrators	<input type="checkbox"/>
> Electric vibrator drive with 60-kVA generator for max. 20 vibrators	<input type="checkbox"/>
> Electric vibrator drive with 60-kVA generator for max. 28 vibrators	<input type="checkbox"/>
> 10 curved vibrators D76, electrically driven	<input type="checkbox"/>
> Tamper bar with/without crown - basic width 12 ft	<input type="checkbox"/>
> Additional components needed for fitting hydraulic vibrators	<input type="checkbox"/>
> Curved vibrator D66, hydraulically driven	<input type="checkbox"/>
> Curved vibrator D76, electrically driven	<input type="checkbox"/>
> Tamper bar - extension element 1.00 ft	<input type="checkbox"/>
> Tamper bar - extension element 1.50 ft	<input type="checkbox"/>
> Tamper bar - extension element 2.00 ft	<input type="checkbox"/>
> Tamper bar - extension element 4.00 ft	<input type="checkbox"/>

Concrete Equipment for Slab Paving

> Split metering gate for molds with/without crown - basic width 12 ft	<input type="checkbox"/>
> Split metering gate for molds with/without crown - basic width 12 ft	<input type="checkbox"/>
> Automatic metering gate control for concrete paving mold	<input type="checkbox"/>
> Metering gate - extension element 1.00 ft	<input type="checkbox"/>
> Metering gate - extension element 1.50 ft	<input type="checkbox"/>
> Metering gate - extension element 2.00 ft	<input type="checkbox"/>
> Metering gate - extension element 4.00 ft	<input type="checkbox"/>
> Metering gate TeleMold for left or right installation side - 1 piece	<input type="checkbox"/>
> Metering gate TeleMold for left and right installation sides - 2 pieces	<input type="checkbox"/>

- = Standard equipment
- = Standard equipment, can be replaced with optional equipment if desired
- = Optional equipment

OPTIONAL EQUIPMENT SP 94 i

Concrete Equipment for Slab Paving

> Paving molds series 1310 wi, with crown - basic width 12 ft	<input type="checkbox"/>
> Paving molds series 1310 wi, without crown - basic width 12 ft	<input type="checkbox"/>
> Paving molds series 1310 wi, with crown - basic width 12 ft	<input type="checkbox"/>
> One-piece sideplates for paving molds series 1300 wi / 1310 wi	<input type="checkbox"/>
> Two-piece side plates for start of shift with paving molds series 1300 wi / 1310 wi	<input type="checkbox"/>
> ESC "Edge Slump Control" inserts for the outer edges of the mold series 1310 wi	<input type="checkbox"/>
> TeleMold 3 ft to 6 ft for extending the 1310 wi series mold boards	<input type="checkbox"/>
> TeleMold 6 ft to 9 ft for extending the 1310 wi series mold boards	<input type="checkbox"/>
> TeleMold 6 ft to 12 ft for extending the 1310 wi series mold boards	<input type="checkbox"/>
> TeleMold 12 ft to 18 ft for extending the 1310 wi series mold boards	<input type="checkbox"/>
> Hydraulically movable mold mountings - 3 ft left installation side	<input type="checkbox"/>
> Hydraulically movable mold mountings - 3 ft right installation side	<input type="checkbox"/>
> Hydraulically movable mold mountings - 3 ft left and right installation sides	<input type="checkbox"/>
> Control unit for TeleMold and hydraulically movable mold mountings	<input type="checkbox"/>
> Profile insert for series 1300 wi / 1310 wi	<input type="checkbox"/>
> Automatic crown adjustment	<input type="checkbox"/>
> Automatic dowel bar inserter (DBI) for use without crown - basic width 12 ft - mechanically telescoping	<input type="checkbox"/>
> Automatic dowel bar inserter (DBI) for use with crown - basic width 12 ft - mechanically telescoping	<input type="checkbox"/>
> Base group for dowel bar inserter (DBI) for paving width up to 12 ft	<input type="checkbox"/>
> Base group for dowel bar inserter (DBI) for paving width up to 14 ft	<input type="checkbox"/>
> Base group for dowel bar inserter (DBI) for paving width up to 18 ft	<input type="checkbox"/>
> Base group for dowel bar inserter (DBI) for paving width up to 22 ft	<input type="checkbox"/>
> Base group for dowel bar inserter (DBI) for paving width up to 26 ft	<input type="checkbox"/>
> Base group for dowel bar inserter (DBI) for paving width up to 30 ft	<input type="checkbox"/>
> Base group for dowel bar inserter (DBI) for paving width up to 32 ft	<input type="checkbox"/>
> Frame extension + electrical control for dowel bar inserter (DBI)	<input type="checkbox"/>
> Dowel bar inserter (DBI) - extension element 1.00 ft	<input type="checkbox"/>
> Dowel bar inserter (DBI) - extension element 1.50 ft	<input type="checkbox"/>
> Dowel bar inserter (DBI) - extension element 2.00 ft	<input type="checkbox"/>
> Dowel bar inserter (DBI) - extension element 4.00 ft	<input type="checkbox"/>
> Load brackets as modification aid for altering the width of the dowel bar inserter (DBI)	<input type="checkbox"/>
> DBI self-loading device including a diesel-powered hydraulic unit	<input type="checkbox"/>
> Oscillating beam without crown - basic width 12 ft	<input type="checkbox"/>
> Oscillating beam with/without crown - basic width 12 ft	<input type="checkbox"/>
> Oscillating beam - extension element 1.00 ft	<input type="checkbox"/>
> Oscillating beam - extension element 1.50 ft	<input type="checkbox"/>
> Oscillating beam - extension element 2.00 ft	<input type="checkbox"/>
> Oscillating beam - extension element 4.00 ft	<input type="checkbox"/>
> Super smoother - basic width 12 ft	<input type="checkbox"/>
> Transport frame for oscillating beam and super smoother as transport unit	<input type="checkbox"/>
> Super smoother - extension element 1.00 ft	<input type="checkbox"/>
> Super smoother - extension element 1.50 ft	<input type="checkbox"/>
> Super smoother - extension element 2.00 ft	<input type="checkbox"/>
> Super smoother - extension element 4.00 ft	<input type="checkbox"/>
> Super smoother - extension element 6.00 ft	<input type="checkbox"/>

OPTIONAL EQUIPMENT SP 94 i

Concrete Equipment for Slab Paving

> Split grout box auger with/without crown - basic width 12 ft	<input type="checkbox"/>
> Grout box auger - extension element 1.00 ft	<input type="checkbox"/>
> Grout box auger - extension element 1.50 ft	<input type="checkbox"/>
> Grout box auger - extension element 2.00 ft	<input type="checkbox"/>
> Grout box auger - extension element 4.00 ft	<input type="checkbox"/>
> 1 side tie bar inserter for straight tie bars, max. \varnothing $\frac{3}{4}$ " , length 2.50 ft	<input type="checkbox"/>
> 2 side tie bar inserters for straight tie bars, max. \varnothing $\frac{3}{4}$ " , length 2.50 ft	<input type="checkbox"/>
> Transport frame for oscillating beam and super smoother as transport unit	<input type="checkbox"/>

Operator's Platform

> Weather canopy for operator's platform, hydraulically telescoping in height	<input type="checkbox"/>
> Weather canopy for operator's platform, hydraulically telescoping in height, with LED lighting	<input type="checkbox"/>

Miscellaneous

> Painting in one special color (RAL)	<input type="checkbox"/>
> Painting in two special colors (RAL)	<input type="checkbox"/>
> Model without WITOS	<input type="checkbox"/>
> High-performance lighting system including 8 LED working lights, 24 V	<input type="checkbox"/>
> Hydraulic high-pressure water cleaning system with 145 gal (550 l) plastic tank	<input type="checkbox"/>
> Two hydraulic high-pressure water cleaning systems with two 145 gal (550 l) plastic tanks	<input type="checkbox"/>
> Additional plastic water tank, 145 gal (550 l)	<input type="checkbox"/>
> Additional electrical water pump, 24 V, with 32 ft 10 in (10.00 m) hose and spray gun with handle	<input type="checkbox"/>
> Self-leveling feature for transport mode	<input type="checkbox"/>
> Rotating beacon, halogen 24 V, with magnetic base	<input type="checkbox"/>
> Two flashing beacons, 24 V, with magnetic base	<input type="checkbox"/>
> Additional control console for track unit adjustment	<input type="checkbox"/>
> Camera system consisting of 1 camera and 1 screen, expandable to up to 6 cameras.	<input type="checkbox"/>
> Additional camera as an extension to an existing camera system.	<input type="checkbox"/>
> Two LED floodlights including power generator (230 V)	<input type="checkbox"/>
> Two LED floodlights including power generator (110 V)	<input type="checkbox"/>
> High-performance lighting system including 4 LED working lights, 24 V, for illuminating the compaction compartment	<input type="checkbox"/>
> Two LED floodlights 24 V	<input type="checkbox"/>
> 230 volt power generator, hydraulically driven, rated power of 4 kW.	<input type="checkbox"/>
> 110 volt power generator, hydraulically driven, rated power of 4 kW	<input type="checkbox"/>
> One hydraulically driven crane system	<input type="checkbox"/>
> Stringline tensioning system, complete with 3,280 ft (1,000 m) steel wire rope	<input type="checkbox"/>
> Additional tensioning winch for stringline tensioning system	<input type="checkbox"/>
> Stringline tensioning system, complete with 4 x 984 ft (4 x 300 m) nylon rope	<input type="checkbox"/>
> Machine commissioning (day rate)	<input type="checkbox"/>
> Export packaging	<input type="checkbox"/>

- = Standard equipment
 = Standard equipment, can be replaced with optional equipment if desired
 = Optional equipment





**WIRTGEN AMERICA Inc.**

6030 Dana Way
Antioch, TN 37013
USA

P: (615) 501-0600

F: (615) 501-0691

 www.wirtgen-group.com/america



For further information, please scan the code.