

Technical Information

MOBICAT MC 100(i) EVO



Track-mounted jaw crusher
For use in natural stone and recycling

MOBICAT EVO
Series

HIGHLIGHTS

- > Continuous Feed System (CFS) for optimal crusher loading
- > Innovative crusher unblocking system for extremely short downtimes
- > Efficient and powerful D-DRIVE diesel-direct drive
- > Easy control via menu-controlled touch panel



MOBICAT MC 100(i) EVO mobile jaw crusher

The smallest mobile jaw crusher excels with its compact design and reliability. It can be used for a huge variety of materials, offering wide-ranging possibilities for both demolition

companies and contract crushers. The MOBICAT MC 100(i) EVO is economical to use thanks to its diesel-direct drive.

MC 100(i) EVO TECHNICAL DATA

Feeding unit	
Feed capacity up to approx. (t/h)	220 ¹⁾
Max. feed size (mm)	855 x 530 x 320
Feed height (with extension) (mm)	3,200 (3,720)
Hopper volume (with extension) (m ³)	3.2 (7.1)
Width x length (with extension) (mm)	1,900 x 3,000 (3,100 x 2,800)
Vibrating feeder chute	
Width x length (mm)	870 x 3,940
Side discharge conveyor (optional) ²⁾	
Width x length (extended) (mm)	500 x 2,700 (5,000)
Drop height approx. (extended) (mm)	2,110 (3,000)
Crusher	
Single-toggle jaw crusher model	STR 95 - 055
Crusher inlet width x depth (mm)	950 x 550
Crusher weight approx. (kg)	12,000
Crusher drive type, up to approx. (kW)	Direct, 160
Gap width adjustment range (mm)	20 - 130 ³⁾
Crusher gap adjustment	Fully hydraulic

Crushing capacity ⁴⁾	
Crushing capacity with CSS = 60 mm up to approx. (t/h)	105
Crushing capacity with CSS = 85 mm up to approx. (t/h)	150
Crusher discharge conveyor	
Width x length (extended) (mm)	1,000 x 8,600 (10,100)
Drop height approx. (extended) (mm)	3,050 (3,660)
Power plant	
Drive concept	Diesel direct ⁵⁾
Deutz diesel engine drive power (kW)	155 - 165 ⁶⁾
Generator (kVA)	85
Transport	
Transport height approx. (mm)	3,200
Transport length approx. (mm)	12,965
Max. transport width (mm)	3,000
Transport weight of basic plant - max. configuration approx. (kg)	31,000 - 38,500

¹⁾ Depending on the type and composition of the feed material, as well as the feed size, the prescreening and the desired final grain size

²⁾ Side discharge conveyor remains attached to the plant for transportation

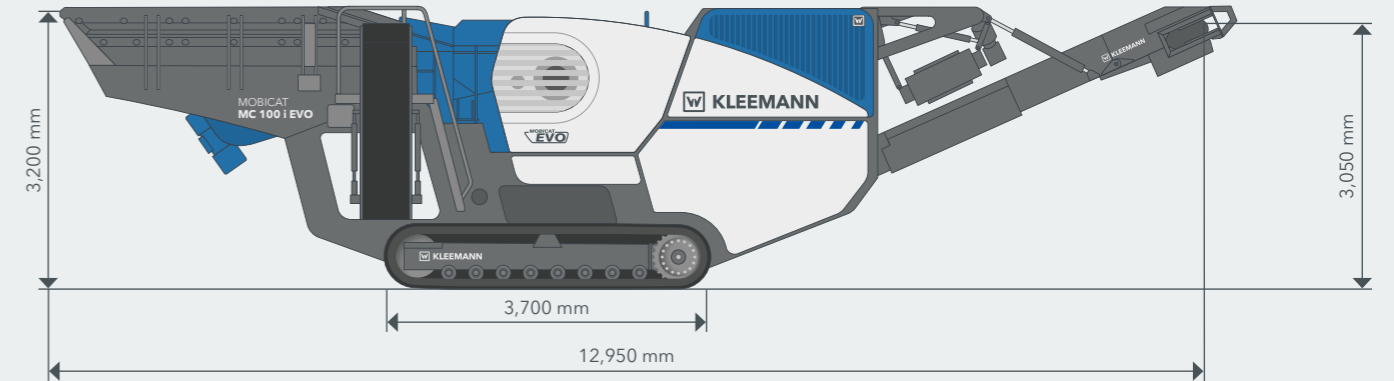
³⁾ CSS: Spike base; the gap width range can be changed using special crusher jaws and/or spacer plates

⁴⁾ For hard stone, CSS = Close Side Setting

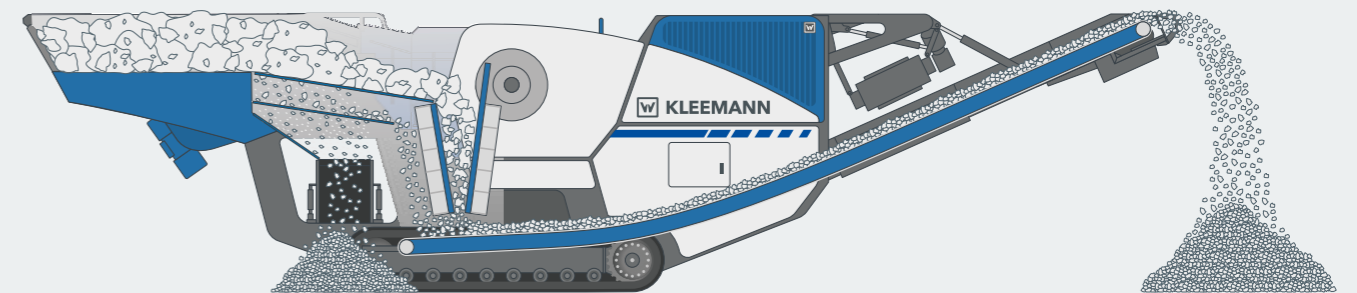
⁵⁾ All electric auxiliary drives

⁶⁾ Depending on the respective exhaust emission standard

OPERATING POSITION



MATERIAL FLOW



With its low weight and very compact dimensions, the MOBICAT MC 100(i) EVO can be used directly on site - even at narrow or hard-to-reach construction sites in urban areas. Short set-up times are also ensured thanks to feeding unit integrated in the chassis, which means that

it no longer necessary to fold the hopper walls in and out. Menu-controlled operation with a continuous text fault display enables simple and intuitive operation. In addition, quick access to the control panel is available via a separate, smaller door-in-door.

STANDARD EQUIPMENT

- > Hopper walls integrated in chassis
- > Frequency-controlled feeder chute with integrated prescreening
- > Intelligent overload system for short-term overloads at selected points to protect the crusher
- > Crusher jaws made of high-quality hard manganese steel that can be turned to ensure even wear
- > Remote control: Wired and wireless remote control including switch-off function for feeding unit
- > Control via touch panel, lockable control cabinet, protected against dust and vibration
- > Water spray system reduces dust
- > Lighting, 3 LED spotlights with extendible light pole

OPTIONS

- > Small hopper extension up to entire hopper volume of approx. 6 m³, rigid design
- > Large hopper extension up to entire hopper volume of approx. 7.1 m³, hydraulically foldable and lockable
- > Side discharge conveyor, hydraulically foldable, can be used on both sides and available in two lengths
- > Large selection of different prescreen covers for upper and lower deck
- > Grate chute platform in left feed direction next to the chute for maintenance and service work (standard right)
- > Continuous Feed System (CFS) for continuous crusher loading
- > Crusher unblocking system for starting the crusher when the crushing chamber is full, forward and reverse running possible
- > Automatic lubrication of crusher bearings
- > Electromagnetic separator, permanent magnet separator, magnet preparation
- > Extended crusher discharge conveyor, hydraulically foldable
- > Belt scale available for crusher discharge conveyor
- > Climate package: Heating package
- > 110 V socket
- > Line coupling for linking with other KLEEMANN plants
- > Water pump with pressure monitoring
- > Track pads for the chassis tracks to protect the base frame
- > Premium lighting for expanded illumination of work areas



For the machine to operate efficiently, it is essential that the correct wear parts are used. KLEEMANN original parts are optimally adapted to the requirements of both the user and the machine. We use our application know-how and expert advice to help our customers find the right wear part to meet their specific needs.

For further information, visit: parts.wirtgen-group.com

KLEEMANN GmbH

Manfred-Wörner-Str. 160
73037 Göppingen
Germany

T: +49 7161 206-0
F: +49 7161 206-100
M: info@kleemann.info

www.kleemann.info

