

# 744 P

Wheel Loader



JOHN DEERE





# PRIMED FOR PRODUCTIVITY

## VISION AND DETECTION SYSTEM OFFERINGS

Active jobsites present many operational challenges, including multiple machines, crew members, and bystanders. The John Deere Advanced Vision System (AVS) and SmartDetect™ can help enhance operator awareness to confidently navigate busy work areas:

- Optional **AVS** includes two digital cameras mounted on the rearview-mirror platforms that integrate with the rearview (backup) camera for a single display on a dedicated in-cab monitor.
- Paired with a high-resolution camera and a dedicated display, optional **Advanced Rear Object-Detection System (ARODS)** utilizes a radar system that provides audible alerts when objects are detected at the rear of the machine. ARODS helps operators visualize the loader's reversal path based on its articulation.
- Now available as an easily installed field kit, optional **SmartDetect** alerts operators of objects entering the machine's projected travel path, emitting sound and visual alerts inside the cab as well as an audible alarm to detected bystanders. SmartDetect requires AVS, ARODS, and a G5 display as well as software activation.



AVS ON THE G5 DISPLAY



SMARTDETECT ON  
THE G5 DISPLAY

# LARGE AND IN CHARGE

## READY TO DO THE HEAVY LIFTING.

Combining serious performance with fuel efficiency, customer-inspired components, and intuitive controls, our 744 P-Tier provides the muscle operators need to work productively and comfortably. Enhancements include increased horsepower, an ergonomically reimagined cab, and simplified service points. With its rugged EPA Final Tier 4/EU Stage V-compliant JD9 diesel, high-capacity heavy-duty axles, and a wealth of proven options, this large-scale wheel loader is built rock solid for the long haul.

### Step up your game

With standard advantages such as a reliable JD9 engine and after-treatment, a fuel-efficient lockup torque converter, and a dedicated steering pump, the 744 P-Tier can heap heavier and haul more.

### Outsized comfort

Cab boasts three more inches of legroom than previous models. Standard premium heated/ventilated seat, updated HVAC system with automatic temperature control, and redesigned sealed-switch module are placed for ergonomic comfort and convenience. A wider door than on previous series models makes getting in and out easier.

### On the winning side

All daily service points including fuel refill are conveniently grouped at ground level on the left side of the machine. Easier access to the engine oil dipstick cuts routine service time in half. Routing of electrical wire harnesses and hydraulic hoses has been streamlined to improve reliability.

### It's easy to take control

Easier and more intuitive to operate than the controls on previous models, seat-mounted right-hand hydraulic controls feature two programmable multifunction buttons with electro-hydraulic (EH) controls.

### Material matters

SmartWeigh option features dynamic weighing technology that allows operators to weigh without interrupting workflow and removes the need to lower and raise the boom after tipoff. Shared through the onboard monitor, SmartWeigh is easy to calibrate and effortlessly integrates with the John Deere Operations Center™ so you can track and visualize payload data from almost anywhere. Available as a factory-installed or field-kit option, you can also try SmartWeigh at a low cost for 250 machine hours.



**SMARTWEIGH™**  
**PAYLOAD-WEIGHING SOLUTION**  
**IS DEERE DESIGNED & SUPPORTED**





**OPTIONAL AUTO-LUBE SYSTEM  
SAVES TIME & HASSLE**



**744 P**

**WHEEL LOADER**

## **YOU THOUGHT OF EVERYTHING** *IT'S IN THE DETAILS.*

Your best ideas have helped our large wheel loaders stand out on the jobsite and in the industry. These are just some of the purpose-built details that add up to push our 744 P-Tier – and your operation – to the next level.



### **Make the shift**

Smooth-shifting transmission delivers impressive acceleration and cycle times. Improved design over earlier models optimizes power and fuel efficiency during transport, roading, and ramp climbing.



### **Heavy-duty durability**

Large, high-capacity, heavy-duty axles with standard axle cooling and filtration increase durability in demanding conditions compared to previous models.



### **Road and go**

Versatile log-handler and pipe-handler configurations deliver up to 11-percent-more full-turn tipping-load capacity than the 744K.



### **Keep your cool**

Quad-Cool™ system design places coolers in a unique boxed configuration that's isolated from engine heat, for increased efficiency and durability. Standard hydraulic reversing fan automatically reverses at predetermined intervals, or can be programmed through the monitor, to eject debris from the cooler cores.



### **Connected machines**

John Deere construction equipment comes with in-base connectivity – free from subscriptions or annual renewals. Analyze critical machine data, track utilization, review diagnostic alerts, and more from **the John Deere Operations Center**. The Operations Center also enables John Deere Connected Support™, which uses data from thousands of connected machines to proactively address issues before they arise. With your approval, your dealer can also remotely monitor machine health, diagnose problems, and even update machine software without a trip to the jobsite.\*

\*Availability varies by region and product. Options not available in every country.

## 744 P-TIER WHEEL LOADER SPECIFICATIONS

While general information, pictures, and descriptions are provided, some illustrations and text may include product options and accessories NOT AVAILABLE in all regions, and in some countries products and accessories may require modifications or additions to ensure compliance with the local regulations of those countries.

Engine		744 P-TIER STANDARD-LIFT / HIGH-LIFT	
Manufacturer and Model	JD9 PSS 6090	JD9 6090H	
Non-Road Emission Standard	EPA Final Tier 4 (FT4)/EU Stage V	EPA Tier 3/EU Stage IIIA	
Cylinders	6	6	
Valves per Cylinder	4	4	
Displacement	9.0 L (548 cu. in.)	9.0 L (548 cu. in.)	
Net Peak Power (ISO 9249)	236 kW (316 hp) at 1,500 rpm	236 kW (316 hp) at 1,500 rpm	
Net Peak Torque (ISO 9249)	1501 Nm (1,107 lb.-ft.) at 1,400 rpm	1501 Nm (1,107 lb.-ft.) at 1,400 rpm	
Net Torque Rise	50%	47%	
Fuel System (electronically controlled)	High-pressure common rail	High-pressure common rail	
Lubrication	Full-flow spin-on filter and integral cooler	Full-flow spin-on filter and integral cooler	
Aspiration	Series turbocharged, charge air cooled	Turbocharged, charge air cooled	
Air Cleaner	Under-hood, dual-element dry type, restriction indicator in cab monitor for service		
Cooling		<i>EPA FT4/EU Stage V / EPA Tier 3/EU Stage IIIA</i>	
Fan Drive	Hydraulically driven, proportionally controlled, fan aft of coolers		
Electrical			
Electrical System	24 volt with 150-amp alternator		
Batteries (2 – 12 volt)	1,400 CCA (each)		
Transmission System		<i>EPA FT4/EU Stage V</i>	
Type	Countershaft-type PowerShift™ with lockup torque converter		<i>EPA Tier 3/EU Stage IIIA</i>
Torque Converter	Single stage, dual phase with freewheeling stator with lockup clutch		
Shift Control	Electronically modulated, adaptive, load and speed dependent		
Operator Interface	Steering-column or joystick-mounted F-N-R and gear-select lever; Quick-Shift button on hydraulic lever		
Shift Modes	Manual/auto (1st–5th or 2nd–5th); Quick-Shift button with 2 selectable modes: kick-down or kick-up/down; and 4 settings for clutch cutoff	Manual/auto (1st–5th or 2nd–5th); Quick-Shift button with selectable kick-down or kick-up/down modes; and 4 settings for clutch cutoff	
Maximum Travel Speeds (with 26.5 R 25, 1 Star L3 tires)	<i>Standard 5-Speed With Lockup Torque Converter</i>		<i>Standard 5-Speed With Lockup Torque Converter</i>
	<i>Forward</i>	<i>Reverse</i>	<i>Forward</i> <i>Reverse</i>
Range 1	7.1 km/h (4.4 mph)	7.1 km/h (4.4 mph)	7.1 km/h (4.4 mph)      7.1 km/h (4.4 mph)
Range 2	12.8 km/h (8.0 mph)	12.8 km/h (8.0 mph)	12.8 km/h (8.0 mph)      12.8 km/h (8.0 mph)
Range 3	19.6 km/h (12.8 mph)	28.0 km/h (17.4 mph)	19.6 km/h (12.2 mph)      28.0 km/h (17.4 mph)
Range 4	28.0 km/h (17.4 mph)	N/A	28.0 km/h (17.4 mph)      N/A
Range 5	40.0 km/h (24.9 mph)	N/A	40.0 km/h (24.9 mph)      N/A
Axles/Brakes		<i>EPA FT4/EU Stage V / EPA Tier 3/EU Stage IIIA</i>	
Final Drives	Heavy-duty inboard-mounted planetary		
Differentials	Hydraulic locking front with conventional rear – standard; dual locking front and rear – optional		
Rear Axle Oscillation, Stop to Stop (with 26.5 R 25, 1 Star L3 tires)	26 deg. (13 deg. each direction)		
Brakes (conform to ISO 3450)			
Service	Hydraulically actuated, spring released, inboard, sun-gear mounted, oil cooled, self-adjusting, single disc		
Parking	Automatic spring applied, hydraulically released, oil cooled, multi disc		

## 744 P-TIER WHEEL LOADER SPECIFICATIONS

# 744

# P

While general information, pictures, and descriptions are provided, some illustrations and text may include product options and accessories NOT AVAILABLE in all regions, and in some countries products and accessories may require modifications or additions to ensure compliance with the local regulations of those countries.

### Tires/Wheels

(see page 13 for complete tire adjustments) **744 P-TIER STANDARD-LIFT / HIGH-LIFT**

	EPA FT4/EU Stage V / EPA Tier 3/EU Stage IIIA	
	Tread Width	Width Over Tires
Michelin 26.5 R 25, 2 Star L3	2298 mm (90.5 in.)	3084 mm (121.4 in.)

### Serviceability

**Refill Capacities** EPA FT4/EU Stage V EPA Tier 3/EU Stage IIIA

Fuel Tank With Lockable Cap	477 L (126 gal.)	477 L (126 gal.)
Diesel Exhaust Fluid (DEF) (EPA FT4/ EU Stage V only)	26.3 L (6.9 gal.)	N/A
Cooling System	48 L (50.7 qt.)	48 L (50.7 qt.)
Engine Oil With Vertical Spin-On Filter	34 L (36 qt.)	34 L (36 qt.)
Transmission Reservoir With Vertical Filter	28 L (29.5 qt.)	28 L (29.5 qt.)
Axle Oil (front and rear, each)	55.3 L (58.4 qt.)	55.3 L (58.4 qt.)
Hydraulic Reservoir and Filter	151 L (39.9 gal.)	159 L (42 gal.)
Park Brake Oil (wet disc)	0.7 L (24 oz.)	0.7 L (24 oz.)

### Hydraulic System/Steering

EPA FT4/EU Stage V / EPA Tier 3/EU Stage IIIA

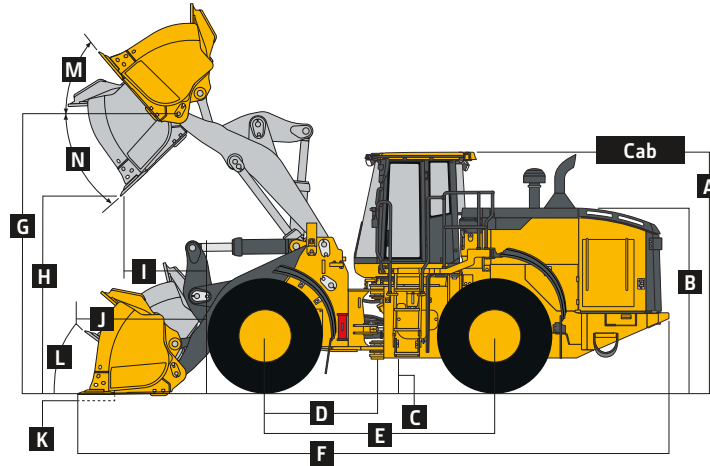
Loader Pumps	2 variable-displacement, load-sensing axial-piston pumps; closed-center system	
Rated rpm	2,350 rpm	
Maximum Rated Flow at 6895 kPa (1,000 psi) and 2,000 rpm	484.5 L/m (128 gpm)	
System Relief Pressure	23 000 kPa (3,336 psi)	
Differential Pressure	2103 kPa (305 psi)	
Steering Pump	1 variable-displacement, load-sensing axial-piston pump; closed-center system	
Rated rpm	2,350 rpm	
Maximum Rated Flow at 6895 kPa (1,000 psi) and 2,000 rpm	161.5 L/m (43 gpm)	
System Relief Pressure	24 900 kPa (3,610 psi)	
Differential Pressure	2103 kPa (305 psi)	
Loader Controls	2-function valve; single- or dual-lever controls; control lever lockout feature; optional 3rd- and 4th-function valve with auxiliary controls	
Steering (conforms to ISO 5010)		
Type	Power, fully hydraulic	
Articulation Angle	80-deg. arc (40 deg. each direction)	
Turning Radius (measured to centerline of outside tire)	5.92 m (19 ft. 5 in.)	
Hydraulic Cycle Times	<i>Standard-Lift / High-Lift</i>	
Raise	5.9 sec.	
Dump	1.4 sec.	
Lower (float down)	2.8 sec.	
Total	10.1 sec.	

# 744 P-TIER

While general information, pictures, and descriptions are provided, some illustrations and text may include product options and accessories NOT AVAILABLE in all regions, and in some countries products and accessories may require modifications or additions to ensure compliance with the local regulations of those countries.

## Dimensions and Specifications With Pin-On Bucket

### 744 P-TIER STANDARD-LIFT / HIGH-LIFT



744 P-TIER STANDARD-LIFT AND HIGH-LIFT LOADERS WITH PIN-ON BUCKET

	EPA Final Tier 4 (FT4)/EU Stage V / EPA Tier 3/EU Stage IIIA								
	Standard-Lift	Standard-Lift	Standard-Lift	Standard-Lift	Standard-Lift	Standard-Lift	Standard-Lift	Standard-Lift	High-Lift
<b>Dimensions With Bucket Without Wear Plates</b>	4.0-m <sup>3</sup> (5.25 cu. yd.) general purpose bolt-on teeth and			4.2-m <sup>3</sup> (5.5 cu. yd.) general-purpose enhanced performance bolt-on teeth and			4.5-m <sup>3</sup> (5.85 cu. yd.) material-handling enhanced performance bolt-on		4.0-m <sup>3</sup> (5.25 cu. yd.) general purpose bolt-on
<b>Cutting Edge Type</b>	edge			edge			edge		edge
<b>A</b> Height to Top of Cab	3.57 m (11 ft. 9 in.)	3.57 m (11 ft. 9 in.)	3.57 m (11 ft. 9 in.)	3.57 m (11 ft. 9 in.)	3.57 m (11 ft. 9 in.)	3.57 m (11 ft. 9 in.)	3.57 m (11 ft. 9 in.)	3.57 m (11 ft. 9 in.)	3.57 m (11 ft. 9 in.)
<b>B</b> Hood Height	2.73 m (8 ft. 11 in.)	2.73 m (8 ft. 11 in.)	2.73 m (8 ft. 11 in.)	2.73 m (8 ft. 11 in.)	2.73 m (8 ft. 11 in.)	2.73 m (8 ft. 11 in.)	2.73 m (8 ft. 11 in.)	2.73 m (8 ft. 11 in.)	2.73 m (8 ft. 11 in.)
<b>C</b> Ground Clearance	458 mm (18 in.)	458 mm (18 in.)	458 mm (18 in.)	458 mm (18 in.)	458 mm (18 in.)	458 mm (18 in.)	458 mm (18 in.)	458 mm (18 in.)	458 mm (18 in.)
<b>D</b> Length From Centerline to Front Axle	1.70 m (5 ft. 7 in.)	1.70 m (5 ft. 7 in.)	1.70 m (5 ft. 7 in.)	1.70 m (5 ft. 7 in.)	1.70 m (5 ft. 7 in.)	1.70 m (5 ft. 7 in.)	1.70 m (5 ft. 7 in.)	1.70 m (5 ft. 7 in.)	1.70 m (5 ft. 7 in.)
<b>E</b> Wheelbase	3.46 m (11 ft. 4 in.)	3.46 m (11 ft. 4 in.)	3.46 m (11 ft. 4 in.)	3.46 m (11 ft. 4 in.)	3.46 m (11 ft. 4 in.)	3.46 m (11 ft. 4 in.)	3.46 m (11 ft. 4 in.)	3.46 m (11 ft. 4 in.)	3.46 m (11 ft. 4 in.)
<b>F</b> Overall Length, Bucket on Ground	9.02 m (29 ft. 7 in.)	9.23 m (30 ft. 4 in.)	9.02 m (29 ft. 7 in.)	9.10 m (29 ft. 10 in.)	9.30 m (30 ft. 6 in.)	9.10 m (29 ft. 10 in.)	9.16 m (30 ft. 1 in.)	9.16 m (30 ft. 1 in.)	9.66 m (31 ft. 8 in.)
<b>G</b> Height to Hinge Pin, Fully Raised	4.27 m (14 ft. 0 in.)	4.27 m (14 ft. 0 in.)	4.27 m (14 ft. 0 in.)	4.27 m (14 ft. 0 in.)	4.27 m (14 ft. 0 in.)	4.27 m (14 ft. 0 in.)	4.27 m (14 ft. 0 in.)	4.27 m (14 ft. 0 in.)	4.84 m (15 ft. 11 in.)
<b>H</b> Dump Clearance, 45 deg., Full Height	3.04 m (10 ft. 0 in.)	2.90 m (9 ft. 6 in.)	3.04 m (10 ft. 0 in.)	2.98 m (9 ft. 9 in.)	2.85 m (9 ft. 4 in.)	2.99 m (9 ft. 10 in.)	2.94 m (9 ft. 8 in.)	2.94 m (9 ft. 8 in.)	3.69 m (12 ft. 1 in.)
<b>I</b> Reach, 45-deg. Dump, Full Height	1.27 m (4 ft. 2 in.)	1.41 m (4 ft. 7 in.)	1.27 m (4 ft. 2 in.)	1.32 m (4 ft. 4 in.)	1.45 m (4 ft. 9 in.)	1.32 m (4 ft. 4 in.)	1.36 m (4 ft. 6 in.)	1.36 m (4 ft. 6 in.)	1.53 m (5 ft. 0 in.)
<b>J</b> Reach, 45-deg. Dump, 2.13-m (7 ft. 0 in.) Clearance	1.89 m (6 ft. 2 in.)	1.96 m (6 ft. 5 in.)	1.89 m (6 ft. 2 in.)	1.92 m (6 ft. 4 in.)	1.98 m (6 ft. 6 in.)	1.92 m (6 ft. 4 in.)	1.94 m (6 ft. 4 in.)	1.94 m (6 ft. 4 in.)	2.45 m (8 ft. 0 in.)
<b>K</b> Maximum Digging Depth	104 mm (4.1 in.)	120 mm (4.7 in.)	101 mm (4.0 in.)	110 mm (4.3 in.)	130 mm (5.1 in.)	107 mm (4.2 in.)	115 mm (4.5 in.)	115 mm (4.5 in.)	219 mm (8.6 in.)
<b>L</b> Maximum Rollback at Ground Level	40.2 deg.	40.2 deg.	40.2 deg.	40.2 deg.	40.2 deg.	40.2 deg.	40.2 deg.	40.2 deg.	41.2 deg.
<b>M</b> Maximum Rollback, Boom Fully Raised	54.9 deg.	54.9 deg.	54.9 deg.	54.9 deg.	54.9 deg.	54.9 deg.	54.9 deg.	54.9 deg.	53.1 deg.
<b>N</b> Maximum Bucket Dump Angle, Fully Raised	49.3 deg.	49.3 deg.	49.3 deg.	49.9 deg.	49.9 deg.	49.9 deg.	49.9 deg.	49.8 deg.	39.2 deg.
Loader Clearance Circle, Bucket Carry Position	14.01 m (46 ft. 0 in.)	14.13 m (46 ft. 4 in.)	14.01 m (46 ft. 0 in.)	14.06 m (46 ft. 2 in.)	14.22 m (46 ft. 8 in.)	14.06 m (46 ft. 2 in.)	14.10 m (46 ft. 3 in.)	14.10 m (46 ft. 3 in.)	14.20 m (46 ft. 7 in.)



While general information, pictures, and descriptions are provided, some illustrations and text may include product options and accessories NOT AVAILABLE in all regions, and in some countries products and accessories may require modifications or additions to ensure compliance with the local regulations of those countries.

# 744 P-TIER

## Dimensions and Specifications

### With Pin-On Bucket (continued)

### 744 P-TIER STANDARD-LIFT / HIGH-LIFT

EPA FT4/EU Stage V / EPA Tier 3/EU Stage IIIA

	Standard-Lift	Standard-Lift	Standard-Lift	Standard-Lift	Standard-Lift	Standard-Lift	Standard-Lift	Standard-Lift	High-Lift
<b>Specifications With Bucket Without Wear Plates</b>	4.0-m <sup>3</sup> (5.25 cu. yd.) general purpose			4.2-m <sup>3</sup> (5.5 cu. yd.) general-purpose enhanced performance			4.5-m <sup>3</sup> (5.85 cu. yd.) material-handling enhanced performance		4.0-m <sup>3</sup> (5.25 cu. yd.) general purpose
<b>Cutting Edge Type</b>	bolt-on edge	teeth and segments	JAGZ	bolt-on edge	teeth and segments	JAGZ	bolt-on edge	JAGZ	bolt-on edge
Capacity, Heaped	4.0 m <sup>3</sup> (5.25 cu. yd.)	4.0 m <sup>3</sup> (5.25 cu. yd.)	4.0 m <sup>3</sup> (5.25 cu. yd.)	4.2 m <sup>3</sup> (5.5 cu. yd.)	4.2 m <sup>3</sup> (5.5 cu. yd.)	4.2 m <sup>3</sup> (5.5 cu. yd.)	4.5 m <sup>3</sup> (5.85 cu. yd.)	4.5 m <sup>3</sup> (5.85 cu. yd.)	4.0 m <sup>3</sup> (5.25 cu. yd.)
Capacity, Heaped at 110% Fill Factor	4.4 m <sup>3</sup> (5.78 cu. yd.)	4.4 m <sup>3</sup> (5.78 cu. yd.)	4.4 m <sup>3</sup> (5.78 cu. yd.)	4.6 m <sup>3</sup> (6.05 cu. yd.)	4.6 m <sup>3</sup> (6.05 cu. yd.)	4.6 m <sup>3</sup> (6.05 cu. yd.)	5.0 m <sup>3</sup> (6.44 cu. yd.)	5.0 m <sup>3</sup> (6.44 cu. yd.)	4.4 m <sup>3</sup> (5.78 cu. yd.)
Capacity, Struck	3.4 m <sup>3</sup> (4.5 cu. yd.)	3.4 m <sup>3</sup> (4.5 cu. yd.)	3.4 m <sup>3</sup> (4.5 cu. yd.)	3.5 m <sup>3</sup> (4.6 cu. yd.)	3.5 m <sup>3</sup> (4.6 cu. yd.)	3.5 m <sup>3</sup> (4.6 cu. yd.)	3.8 m <sup>3</sup> (4.9 cu. yd.)	3.8 m <sup>3</sup> (4.9 cu. yd.)	3.4 m <sup>3</sup> (4.5 cu. yd.)
Bucket Weight With Bolt-On	2343 kg	2466 kg	2365 kg	2366 kg	2490 kg	2389 kg	2404 kg	2426 kg	2343 kg
Cutting Edge	(5,165 lb.)	(5,437 lb.)	(5,214 lb.)	(5,216 lb.)	(5,490 lb.)	(5,267 lb.)	(5,300 lb.)	(5,348 lb.)	(5,165 lb.)
Bucket Width	3.28 m (10 ft. 9 in.)	3.30 m (10 ft. 10 in.)	3.28 m (10 ft. 9 in.)	3.28 m (10 ft. 9 in.)	3.30 m (10 ft. 10 in.)	3.28 m (10 ft. 9 in.)	3.28 m (10 ft. 9 in.)	3.28 m (10 ft. 9 in.)	3.28 m (10 ft. 9 in.)
Breakout Force	19 824 kg (43,704 lb.)	17 300 kg (38,140 lb.)	19 859 kg (43,782 lb.)	18 755 kg (41,348 lb.)	16 462 kg (36,293 lb.)	18 789 kg (41,422 lb.)	17 937 kg (39,544 lb.)	17 967 kg (39,610 lb.)	17 776 kg (39,189 lb.)
Tipping Load, Straight, No Tire Deflection									
EPA FT4/EU Stage V	19 885 kg (43,846 lb.)	19 721 kg (43,485 lb.)	19 858 kg (43,779 lb.)	19 650 kg (43,321 lb.)	19 485 kg (42,957 lb.)	19 624 kg (43,263 lb.)	19 516 kg (43,025 lb.)	19 493 kg (42,975 lb.)	15 843 kg (34,928 lb.)
EPA Tier 3/EU Stage IIIA	19 318 kg (42,589 lb.)	19 155 kg (42,229 lb.)	19 292 kg (42,532 lb.)	19 089 kg (42,084 lb.)	18 924 kg (41,720 lb.)	19 063 kg (42,027 lb.)	18 957 kg (41,793 lb.)	18 934 kg (41,742 lb.)	15 373 kg (33,892 lb.)
Tipping Load, Straight, With Tire Deflection									
EPA FT4/EU Stage V	18 606 kg (41,026 lb.)	18 444 kg (40,669 lb.)	18 579 kg (40,960 lb.)	18 393 kg (40,550 lb.)	18 231 kg (40,192 lb.)	18 366 kg (40,490 lb.)	18 258 kg (40,252 lb.)	18 234 kg (40,199 lb.)	14 910 kg (32,871 lb.)
EPA Tier 3/EU Stage IIIA	18 096 kg (39,895 lb.)	17 934 kg (39,538 lb.)	18 069 kg (39,835 lb.)	17 889 kg (39,438 lb.)	17 724 kg (39,075 lb.)	17 862 kg (39,379 lb.)	17 754 kg (39,141 lb.)	17 733 kg (39,095 lb.)	14 481 kg (31,925 lb.)
Tipping Load, 37-deg. Partial Turn, No Tire Deflection									
EPA FT4/EU Stage V	17 549 kg (38,696 lb.)	17 385 kg (38,334 lb.)	17 522 kg (38,629 lb.)	17 336 kg (38,219 lb.)	17 171 kg (37,855 lb.)	17 310 kg (38,162 lb.)	17 212 kg (37,946 lb.)	17 188 kg (37,893 lb.)	13 903 kg (30,651 lb.)
EPA Tier 3/EU Stage IIIA	17 054 kg (37,598 lb.)	16 890 kg (37,236 lb.)	17 027 kg (37,538 lb.)	16 846 kg (37,139 lb.)	16 681 kg (36,775 lb.)	16 820 kg (37,082 lb.)	16 724 kg (36,870 lb.)	16 700 kg (36,817 lb.)	13 492 kg (29,745 lb.)
Tipping Load, 40-deg. Full Turn, No Tire Deflection									
EPA FT4/EU Stage V	17 170 kg (37,860 lb.)	17 007 kg (37,500 lb.)	17 144 kg (37,796 lb.)	16 961 kg (36,797 lb.)	16 796 kg (37,029 lb.)	16 935 kg (37,335 lb.)	16 839 kg (37,124 lb.)	16 815 kg (37,071 lb.)	13 589 kg (29,959 lb.)
EPA Tier 3/EU Stage IIIA	16 687 kg (36,788 lb.)	16 524 kg (36,429 lb.)	16 661 kg (36,731 lb.)	16 483 kg (36,339 lb.)	16 318 kg (35,975 lb.)	16 457 kg (36,281 lb.)	16 362 kg (36,072 lb.)	16 339 kg (36,021 lb.)	13 188 kg (29,075 lb.)
Tipping Load, 40-deg. Full Turn, With Tire Deflection									
EPA FT4/EU Stage V	15 534 kg (34,252 lb.)	15 372 kg (33,895 lb.)	15 507 kg (34,187 lb.)	15 351 kg (33,843 lb.)	15 189 kg (33,486 lb.)	15 327 kg (33,790 lb.)	15 228 kg (33,572 lb.)	15 204 kg (33,519 lb.)	12 366 kg (27,262 lb.)
EPA Tier 3/EU Stage IIIA	15 132 kg (33,360 lb.)	14 970 kg (33,003 lb.)	15 105 kg (33,301 lb.)	14 952 kg (32,963 lb.)	14 790 kg (32,606 lb.)	14 925 kg (32,904 lb.)	14 829 kg (32,692 lb.)	14 805 kg (32,639 lb.)	12 024 kg (26,508 lb.)
Rated Operating Load, 50% Full-Turn Tipping Load, With Tire Deflection (conforms to ISO 14397-1)*									
EPA FT4/EU Stage V	7767 kg (17,123 lb.)	7686 kg (16,945 lb.)	7754 kg (17,095 lb.)	7676 kg (16,923 lb.)	7595 kg (16,744 lb.)	7664 kg (16,896 lb.)	7614 kg (16,786 lb.)	7602 kg (16,760 lb.)	6183 kg (13,631 lb.)
EPA Tier 3/EU Stage IIIA	7566 kg (16,680 lb.)	7485 kg (16,502 lb.)	7553 kg (16,651 lb.)	7476 kg (16,482 lb.)	7395 kg (16,303 lb.)	7463 kg (16,453 lb.)	7415 kg (16,347 lb.)	7403 kg (16,321 lb.)	6012 kg (13,254 lb.)
Operating Weight									
EPA FT4/EU Stage V	24 907 kg (54,920 lb.)	25 030 kg (55,191 lb.)	24 929 kg (54,959 lb.)	24 930 kg (54,961 lb.)	25 054 kg (55,235 lb.)	24 953 kg (55,012 lb.)	24 968 kg (55,045 lb.)	24 990 kg (55,094 lb.)	25 447 kg (56,101 lb.)
EPA Tier 3/EU Stage IIIA	24 597 kg (54,227 lb.)	24 721 kg (54,500 lb.)	24 620 kg (54,278 lb.)	24 621 kg (54,280 lb.)	24 745 kg (54,553 lb.)	24 644 kg (54,331 lb.)	24 658 kg (54,362 lb.)	24 681 kg (54,412 lb.)	25 138 kg (55,420 lb.)

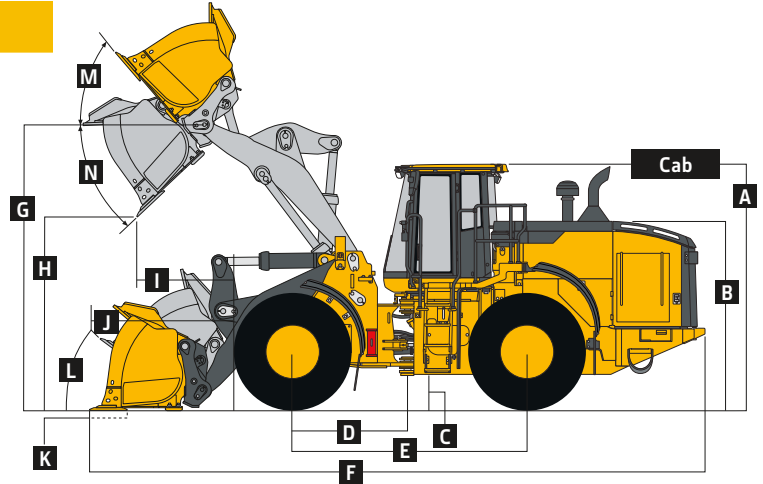
Loader operating information is based on machine with identified linkage and standard equipment, JD9 PSS 6090 (EPA FT4/EU Stage V) and JD9 6090H (EPA Tier 3/EU Stage IIIA) engines, ROPS cab, rear cast bumper/counterweight, transmission side-frame guards, bottom guards, standard tires, full fuel tank, and 79-kg (175 lb.) operator. This information is affected by changes in tires, ballast, and different attachments.

\*Rated operating capacity based on Deere attachments only.

# 744 P-TIER

While general information, pictures, and descriptions are provided, some illustrations and text may include product options and accessories NOT AVAILABLE in all regions, and in some countries products and accessories may require modifications or additions to ensure compliance with the local regulations of those countries.

**Dimensions and Specifications**      **744 P-TIER**  
**With Coupler and Hook-On Bucket**      **STANDARD-LIFT / HIGH-LIFT**



**744 P-TIER STANDARD-LIFT AND HIGH-LIFT LOADERS WITH COUPLER AND HOOK-ON BUCKET**

	EPA Final Tier 4 (FT4)/EU Stage V / EPA Tier 3/EU Stage IIIA						
	Standard-Lift	Standard-Lift	Standard-Lift	Standard-Lift	Standard-Lift	Standard-Lift	High-Lift
							3.8-m <sup>3</sup> (5.0 cu. yd.) general-purpose enhanced performance
<b>Dimensions With Bucket Without Wear Plates</b>							4.0-m <sup>3</sup> (5.25 cu. yd.) general-purpose enhanced performance
<b>Cutting Edge Type</b>	bolt-on edge		teeth and segments		JAGZ™		bolt-on edge
<b>A</b> Height to Top of Cab	3.57 m (11 ft. 9 in.)	3.57 m (11 ft. 9 in.)	3.57 m (11 ft. 9 in.)	3.57 m (11 ft. 9 in.)	3.57 m (11 ft. 9 in.)	3.57 m (11 ft. 9 in.)	3.57 m (11 ft. 9 in.)
<b>B</b> Hood Height	2.73 m (8 ft. 11 in.)	2.73 m (8 ft. 11 in.)	2.73 m (8 ft. 11 in.)	2.73 m (8 ft. 11 in.)	2.73 m (8 ft. 11 in.)	2.73 m (8 ft. 11 in.)	2.73 m (8 ft. 11 in.)
<b>C</b> Ground Clearance	458 mm (18 in.)	458 mm (18 in.)	458 mm (18 in.)	458 mm (18 in.)	458 mm (18 in.)	458 mm (18 in.)	458 mm (18 in.)
<b>D</b> Length From Centerline to Front Axle	1.70 m (5 ft. 7 in.)	1.70 m (5 ft. 7 in.)	1.70 m (5 ft. 7 in.)	1.70 m (5 ft. 7 in.)	1.70 m (5 ft. 7 in.)	1.70 m (5 ft. 7 in.)	1.70 m (5 ft. 7 in.)
<b>E</b> Wheelbase	3.46 m (11 ft. 4 in.)	3.46 m (11 ft. 4 in.)	3.46 m (11 ft. 4 in.)	3.46 m (11 ft. 4 in.)	3.46 m (11 ft. 4 in.)	3.46 m (11 ft. 4 in.)	3.46 m (11 ft. 4 in.)
<b>F</b> Overall Length, Bucket on Ground	9.17 m (30 ft. 1 in.)	9.38 m (30 ft. 9 in.)	9.17 m (30 ft. 1 in.)	9.18 m (30 ft. 1 in.)	9.39 m (30 ft. 10 in.)	9.18 m (30 ft. 1 in.)	9.81 m (32 ft. 2 in.)
<b>G</b> Height to Hinge Pin, Fully Raised	4.27 m (14 ft. 0 in.)	4.27 m (14 ft. 0 in.)	4.27 m (14 ft. 0 in.)	4.27 m (14 ft. 0 in.)	4.27 m (14 ft. 0 in.)	4.27 m (14 ft. 0 in.)	4.84 m (15 ft. 11 in.)
<b>H</b> Dump Clearance, 45 deg., Full Height	2.95 m (9 ft. 8 in.)	2.81 m (9 ft. 2.63 in.)	2.95 m (9 ft. 8 in.)	2.94 m (9 ft. 8 in.)	2.80 m (9 ft. 2 in.)	2.94 m (9 ft. 8 in.)	3.64 m (11 ft. 11 in.)
<b>I</b> Reach, 45-deg. Dump, Full Height	1.41 m (4 ft. 8 in.)	1.54 m (5 ft. 1 in.)	1.41 m (4 ft. 8 in.)	1.41 m (4 ft. 8 in.)	1.55 m (5 ft. 1 in.)	1.41 m (4 ft. 8 in.)	1.69 m (5 ft. 7 in.)
<b>J</b> Reach, 45-deg. Dump, 2.13-m (7 ft. 0 in.) Clearance	1.98 m (6 ft. 6 in.)	2.05 m (6 ft. 9 in.)	1.98 m (6 ft. 6 in.)	1.98 m (6 ft. 6 in.)	2.05 m (6 ft. 9 in.)	1.98 m (6 ft. 6 in.)	2.55 m (8 ft. 4 in.)
<b>K</b> Maximum Digging Depth	83 mm (3.3 in.)	103 mm (4.1 in.)	80 mm (3.2 in.)	88 mm (3.5 in.)	109 mm (4.3 in.)	86 mm (3.4 in.)	199 mm (7.8 in.)
<b>L</b> Maximum Rollback at Ground Level	40.3 deg.	40.3 deg.	40.3 deg.	40.3 deg.	40.3 deg.	40.3 deg.	41.2 deg.
<b>M</b> Maximum Rollback, Boom Fully Raised	54.9 deg.	54.9 deg.	54.9 deg.	54.9 deg.	54.9 deg.	54.9 deg.	53.1 deg.
<b>N</b> Maximum Bucket Dump Angle, Fully Raised	49.5 deg.	49.5 deg.	49.5 deg.	49.5 deg.	49.5 deg.	49.5 deg.	40.0 deg.
Loader Clearance Circle, Bucket Carry Position	14.1 m (46 ft. 3 in.)	14.3 m (46 ft. 11 in.)	14.1 m (46 ft. 3 in.)	14.1 m (46 ft. 3 in.)	14.3 m (46 ft. 11 in.)	14.1 m (46 ft. 3 in.)	14.4 m (47 ft. 1 in.)
<b>Specifications With Bucket</b>							
Capacity, Heaped	3.8 m <sup>3</sup> (5.0 cu. yd.)	3.8 m <sup>3</sup> (5.0 cu. yd.)	3.8 m <sup>3</sup> (5.0 cu. yd.)	4.0 m <sup>3</sup> (5.25 cu. yd.)	4.0 m <sup>3</sup> (5.25 cu. yd.)	4.0 m <sup>3</sup> (5.25 cu. yd.)	3.8 m <sup>3</sup> (5.0 cu. yd.)
Capacity, Heaped at 110% Fill Factor	4.2 m <sup>3</sup> (5.5 cu. yd.)	4.2 m <sup>3</sup> (5.5 cu. yd.)	4.2 m <sup>3</sup> (5.5 cu. yd.)	4.4 m <sup>3</sup> (5.78 cu. yd.)	4.4 m <sup>3</sup> (5.78 cu. yd.)	4.4 m <sup>3</sup> (5.78 cu. yd.)	4.2 m <sup>3</sup> (5.5 cu. yd.)
Capacity, Struck	3.25 m <sup>3</sup> (4.25 cu. yd.)	3.25 m <sup>3</sup> (4.25 cu. yd.)	3.25 m <sup>3</sup> (4.25 cu. yd.)	3.4 m <sup>3</sup> (4.5 cu. yd.)	3.4 m <sup>3</sup> (4.5 cu. yd.)	3.4 m <sup>3</sup> (4.5 cu. yd.)	3.25 m <sup>3</sup> (4.25 cu. yd.)
Bucket Weight With Bolt-On Cutting Edge	2343 kg (5,165 lb.)	2466 kg (5,437 lb.)	2365 kg (5,214 lb.)	2366 kg (5,216 lb.)	2490 kg (5,490 lb.)	2389 kg (5,267 lb.)	2343 kg (5,165 lb.)
Bucket Width	3.28 m (10 ft. 9 in.)	3.30 m (10 ft. 10 in.)	3.28 m (10 ft. 9 in.)	3.28 m (10 ft. 9 in.)	3.30 m (10 ft. 10 in.)	3.28 m (10 ft. 9 in.)	3.28 m (10 ft. 9 in.)
Breakout Force	17 280 kg (38,096 lb.)	15 256 kg (33,634 lb.)	17 304 kg (38,149 lb.)	17 114 kg (37,730 lb.)	15 116 kg (33,325 lb.)	17,136 kg (37,778 lb.)	15 433 kg (34,024 lb.)
<b>Tipping Load, Straight, No Tire Deflection</b>							
EPA FT4/EU Stage V	18 601 kg (41,008 lb.)	18 433 kg (40,637 lb.)	18 573 kg (40,946 lb.)	18 612 kg (41,032 lb.)	18 443 kg (40,659 lb.)	18 584 kg (40,970 lb.)	14 789 kg (32,604 lb.)
EPA Tier 3/EU Stage IIIA	18 058 kg (39,811 lb.)	17 889 kg (39,438 lb.)	18 029 kg (39,747 lb.)	18 066 kg (39,829 lb.)	17 897 kg (39,456 lb.)	18 038 kg (39,767 lb.)	14 332 kg (31,597 lb.)
<b>Tipping Load, Straight, With Tire Deflection</b>							
EPA FT4/EU Stage V	17 343 kg (38,234 lb.)	17 175 kg (37,864 lb.)	17 313 kg (38,168 lb.)	17 343 kg (38,234 lb.)	17 178 kg (37,871 lb.)	17 316 kg (38,175 lb.)	13 845 kg (30,523 lb.)
EPA Tier 3/EU Stage IIIA	16 854 kg (37,157 lb.)	16 686 kg (36,786 lb.)	16 827 kg (37,097 lb.)	16 854 kg (37,157 lb.)	16 686 kg (36,786 lb.)	16 827 kg (37,097 lb.)	13 431 kg (29,610 lb.)
<b>Tipping Load, 37-deg. Partial Turn, No Tire Deflection</b>							
EPA FT4/EU Stage V	16 299 kg (35,933 lb.)	16 131 kg (35,562 lb.)	16 271 kg (35,871 lb.)	16 300 kg (35,935 lb.)	16 131 kg (35,562 lb.)	16 272 kg (35,873 lb.)	12 857 kg (28,344 lb.)
EPA Tier 3/EU Stage IIIA	15 824 kg (34,886 lb.)	15 656 kg (34,516 lb.)	15 796 kg (34,824 lb.)	15 823 kg (34,884 lb.)	15 654 kg (34,511 lb.)	15 795 kg (34,822 lb.)	12 459 kg (27,467 lb.)
<b>Tipping Load, 40-deg. Full Turn, No Tire Deflection</b>							
EPA FT4/EU Stage V	15 927 kg (35,113 lb.)	15 758 kg (34,740 lb.)	15 898 kg (35,049 lb.)	15 926 kg (35,110 lb.)	15 756 kg (34,736 lb.)	15 898 kg (35,049 lb.)	12 545 kg (27,656 lb.)
EPA Tier 3/EU Stage IIIA	15 463 kg (34,090 lb.)	15 295 kg (33,720 lb.)	15 435 kg (34,028 lb.)	15 460 kg (34,083 lb.)	15 291 kg (33,711 lb.)	15 432 kg (34,022 lb.)	12 156 kg (26,799 lb.)
<b>Tipping Load, 40-deg. Full Turn, With Tire Deflection</b>							
EPA FT4/EU Stage V	14 307 kg (31,541 lb.)	14 142 kg (31,177 lb.)	14 277 kg (31,475 lb.)	14 295 kg (31,515 lb.)	14 127 kg (30,455 lb.)	14 268 kg (31,455 lb.)	11 301 kg (24,914 lb.)
EPA Tier 3/EU Stage IIIA	13 920 kg (30,688 lb.)	13 755 kg (30,325 lb.)	13 893 kg (30,629 lb.)	13 905 kg (30,655 lb.)	13 740 kg (30,291 lb.)	13 878 kg (30,596 lb.)	10 974 kg (24,194 lb.)
<b>Rated Operating Load, 50% Full-Turn Tipping Load With Tire Deflection (conforms to ISO 14397-1)*</b>							
EPA FT4/EU Stage V	7154 kg (15,772 lb.)	7071 kg (15,589 lb.)	7139 kg (15,739 lb.)	7148 kg (15,759 lb.)	7064 kg (15,573 lb.)	7134 kg (15,728 lb.)	5651 kg (12,458 lb.)
EPA Tier 3/EU Stage IIIA	6960 kg (15,344 lb.)	6878 kg (15,163 lb.)	6947 kg (15,315 lb.)	6953 kg (15,329 lb.)	6870 kg (15,146 lb.)	6939 kg (15,298 lb.)	5487 kg (12,097 lb.)
<b>Operating Weight</b>							
EPA FT4/EU Stage V	26 090 kg (57,518 lb.)	26 216 kg (57,796 lb.)	26 113 kg (57,569 lb.)	26 174 kg (57,703 lb.)	26 301 kg (57,983 lb.)	26 197 kg (57,754 lb.)	26 630 kg (58,709 lb.)
EPA Tier 3/EU Stage IIIA	25 780 kg (56,835 lb.)	25 907 kg (57,115 lb.)	25 804 kg (56,888 lb.)	25 865 kg (57,022 lb.)	25 991 kg (57,300 lb.)	25 888 kg (57,073 lb.)	26 321 kg (58,028 lb.)

Loader operating information is based on machine with identified linkage and standard equipment, JD9 P55 6090 (EPA FT4/EU Stage V) and JD9 6090H (EPA Tier 3/EU Stage IIIA) engines, ROPS cab, rear cast bumper/counterweight, transmission side-frame guards, bottom guards, standard tires, full fuel tank, and 79-kg (175 lb.) operator. This information is affected by changes in tires, ballast, and different attachments.

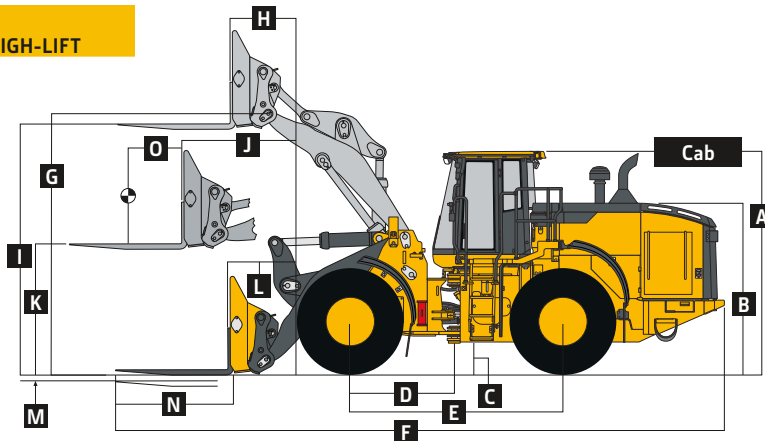
\*Rated operating capacity based on Deere attachments only.

While general information, pictures, and descriptions are provided, some illustrations and text may include product options and accessories NOT AVAILABLE in all regions, and in some countries products and accessories may require modifications or additions to ensure compliance with the local regulations of those countries.

# 744 P-TIER

## Dimensions and Specifications With Coupler and Hook-On Construction Forks

## 744 P-TIER STANDARD-LIFT / HIGH-LIFT



744 P-TIER STANDARD-LIFT AND HIGH-LIFT LOADERS WITH COUPLER AND HOOK-ON CONSTRUCTION FORKS

	EPA FT4/EU Stage V / EPA Tier 3/EU Stage IIIA		
	Standard-Lift	Standard-Lift	High-Lift
<b>Dimensions With Forks</b>	1.83-m (72 in.) tine length	2.44-m (96 in.) tine length	1.83-m (72 in.) tine length
<b>A</b> Height to Top of Cab	3.57 m (11 ft. 9 in.)	3.57 m (11 ft. 9 in.)	3.57 m (11 ft. 9 in.)
<b>B</b> Hood Height	2.73 m (8 ft. 11 in.)	2.73 m (8 ft. 11 in.)	2.73 m (8 ft. 11 in.)
<b>C</b> Ground Clearance	458 mm (18 in.)	458 mm (18 in.)	458 mm (18 in.)
<b>D</b> Length From Centerline to Front Axle	1.70 m (5 ft. 7 in.)	1.70 m (5 ft. 7 in.)	1.70 m (5 ft. 7 in.)
<b>E</b> Wheelbase	3.46 m (11 ft. 4 in.)	3.46 m (11 ft. 4 in.)	3.46 m (11 ft. 4 in.)
<b>F</b> Overall Length, Forks on Ground	9.82 m (32 ft. 3 in.)	10.43 m (34 ft. 3 in.)	10.49 m (34 ft. 5 in.)
<b>G</b> Height to Hinge Pin, Fully Raised	4.27 m (14 ft. 0 in.)	4.27 m (14 ft. 0 in.)	4.84 m (15 ft. 11 in.)
<b>H</b> Reach, Fully Raised	0.90 m (35 in.)	0.90 m (35 in.)	1.05 m (3 ft. 5 in.)
<b>I</b> Fork Height, Fully Raised	3.22 m (10 ft. 7 in.)	3.22 m (10 ft. 7 in.)	3.79 m (12 ft. 5 in.)
<b>J</b> Maximum Reach, Fork Level	1.77 m (5 ft. 10 in.)	1.77 m (5 ft. 10 in.)	2.29 m (7 ft. 6 in.)
<b>K</b> Fork Height, Maximum Reach	1.29 m (4 ft. 3 in.)	1.29 m (4 ft. 3 in.)	1.29 m (4 ft. 3 in.)
<b>L</b> Reach, Ground Level	1.00 m (3 ft. 3 in.)	1.00 m (3 ft. 3 in.)	1.67 m (5 ft. 6 in.)
<b>M</b> Depth Below Ground	56 mm (2.2 in.)	56 mm (2.2 in.)	59 mm (2.3 in.)
<b>N</b> Tine Length	1.83 m (72 in.)	2.44 m (96 in.)	1.83 m (72 in.)
<b>O</b> Load Position, 50% Tine Length	0.92 m (36 in.)	1.22 m (48 in.)	0.92 m (36 in.)
<b>Specifications With Forks</b>			
Tipping Load, Straight, No Tire Deflection			
EPA FT4/EU Stage V	13 078 kg (28,832 lb.)	11 859 kg (26,144 lb.)	10 941 kg (24,120 lb.)
EPA Tier 3/EU Stage IIIA	12 712 kg (28,025 lb.)	11 521 kg (25,399 lb.)	10 621 kg (23,415 lb.)
Tipping Load, Straight, With Tire Deflection			
EPA FT4/EU Stage V	12 666 kg (27,923 lb.)	11 502 kg (25,357 lb.)	10 611 kg (23,393 lb.)
EPA Tier 3/EU Stage IIIA	12 318 kg (27,157 lb.)	11 178 kg (24,643 lb.)	10 308 kg (22,725 lb.)
Tipping Load, 37-deg. Partial Turn, No Tire Deflection			
EPA FT4/EU Stage V	11 526 kg (25,410 lb.)	10 428 kg (22,989 lb.)	9586 kg (21,133 lb.)
EPA Tier 3/EU Stage IIIA	11 206 kg (24,705 lb.)	10 134 kg (22,342 lb.)	9307 kg (20,518 lb.)
Tipping Load, 40-deg. Full Turn, No Tire Deflection			
EPA FT4/EU Stage V	11 275 kg (24,857 lb.)	10 197 kg (22,480 lb.)	9367 kg (20,650 lb.)
EPA Tier 3/EU Stage IIIA	10 963 kg (24,169 lb.)	9909 kg (21,846 lb.)	9094 kg (20,049 lb.)
Tipping Load, 40-deg. Full Turn, With Tire Deflection			
EPA FT4/EU Stage V	10 710 kg (23,611 lb.)	9702 kg (21,389 lb.)	8907 kg (19,636 lb.)
EPA Tier 3/EU Stage IIIA	10 425 kg (22,983 lb.)	9438 kg (20,807 lb.)	8661 kg (19,094 lb.)
Rated Operating Load, 50% Full-Turn Tipping Load, With Tire Deflection (conforms to ISO 14397-1)*			
EPA FT4/EU Stage V	5355 kg (11,806 lb.)	4851 kg (10,695 lb.)	4454 kg (9,819 lb.)
EPA Tier 3/EU Stage IIIA	5213 kg (11,493 lb.)	4719 kg (10,404 lb.)	4331 kg (9,548 lb.)
Rated Operating Load, Rough Terrain, 60% Full-Turn Tipping Load, With Tire Deflection (conforms to EN474-3)*			
EPA FT4/EU Stage V	6426 kg (14,167 lb.)	5821 kg (12,833 lb.)	5344 kg (11,781 lb.)
EPA Tier 3/EU Stage IIIA	6255 kg (13,790 lb.)	5663 kg (12,485 lb.)	5197 kg (11,457 lb.)
Rated Operating Load, Firm and Level Ground, 80% Full-Turn Tipping Load, With Tire Deflection (conforms to EN474-3)*			
EPA FT4/EU Stage V	8568 kg (18,889 lb.)	7762 kg (17,112 lb.)	7126 kg (15,710 lb.)
EPA Tier 3/EU Stage IIIA	8340 kg (18,387 lb.)	7550 kg (16,645 lb.)	6929 kg (15,276 lb.)
Operating Weight			
EPA FT4/EU Stage V	25 022 kg (55,164 lb.)	25 194 kg (55,543 lb.)	25 562 kg (56,354 lb.)
EPA Tier 3/EU Stage IIIA	24 713 kg (54,483 lb.)	24 885 kg (54,862 lb.)	25 253 kg (55,673 lb.)

Loader operating information is based on machine with identified linkage and standard equipment, JD9 PSS 6090 (EPA FT4/EU Stage V) and JD9 6090H (EPA Tier 3/EU Stage IIIA) engines, ROPS cab, rear cast bumper/counterweight, transmission side-frame guards, bottom guards, standard tires, full fuel tank, and 79-kg (175 lb.) operator. This information is affected by changes in tires, ballast, and different attachments.

\*Rated operating capacity based on Deere attachments only.

# 744 P-TIER

While general information, pictures, and descriptions are provided, some illustrations and text may include product options and accessories NOT AVAILABLE in all regions, and in some countries products and accessories may require modifications or additions to ensure compliance with the local regulations of those countries.

Dimensions and Specifications				
With Pin-On Millyard Forks		744 P-TIER LOG HANDLER		
		EPA Final Tier 4 (FT4)/EU Stage V / EPA Tier 3/EU Stage IIIA Standard-Lift	EPA FT4/ EU Stage V Standard-Lift	EPA Tier 3/ EU Stage IIIA Standard-Lift
<b>Dimensions With Millyard Forks</b>	<i>Wicker with 1.68-m (66 in.) tine length</i>		<b>Specifications With Millyard Forks</b>	
Height to Top of Cab	3.57 m (11 ft. 9 in.)		Tipping Load, Straight, No Tire Deflection	15 741 kg (34,703 lb.)
Hood Height	2.73 m (8 ft. 11 in.)		Tipping Load, Straight, With Tire Deflection	14 973 kg (33,009 lb.)
Ground Clearance	458 mm (18 in.)		Tipping Load, 37-deg. Partial Turn, No Tire Deflection	13 823 kg (30,474 lb.)
Length From Centerline to Front Axle	1.70 m (5 ft. 7 in.)		Tipping Load, 40-deg. Full Turn, No Tire Deflection	13 513 kg (29,791 lb.)
Wheelbase	3.46 m (11 ft. 4 in.)		Tipping Load, 40-deg. Full Turn, With Tire Deflection	12 474 kg (27,500 lb.)
Overall Length, Forks on Ground	9.30 m (30 ft. 6 in.)		Operating Weight	26 155 kg (57,662 lb.)
Height to Hinge Pin, Fully Raised	4.27 m (14 ft. 0 in.)		<i>Loader operating information is based on machine with identified linkage and standard equipment, JD9 PSS 6090 (EPA FT4/EU Stage V) and JD9 6090H (EPA Tier 3/EU Stage IIIA) engines, ROPS cab, rear cast bumper/counterweight, transmission side-frame guards, bottom guards, standard tires, full fuel tank, and 79-kg (175 lb.) operator. This information is affected by changes in tires, ballast, and different attachments.</i>	
Reach, Fully Raised	2.35 m (7 ft. 9 in.)			
Fork Height, Fully Raised	3.28 m (10 ft. 9 in.)			
Maximum Reach, Fork Level	3.22 m (10 ft. 7 in.)			
Fork Height, Maximum Reach	1.30 m (4 ft. 3 in.)			
Reach, Ground Level	2.56 m (8 ft. 5 in.)			
Depth Below Ground	112 mm (4.4 in.)			
Tine Length	1.68 m (66 in.)			
Grapple Weight	2381 kg (5,250 lb.)			
Overall Grapple Width	2.21 m (87 in.) (7 ft. 3 in.)			

Dimensions and Specifications				
With Pin-On Pipe Grapple		744 P-TIER PIPE HANDLER		
		EPA FT4/EU Stage V / EPA Tier 3/EU Stage IIIA Standard-Lift	EPA FT4/EU Stage V Standard-Lift	EPA Tier 3/ EU Stage IIIA Standard-Lift
<b>Dimensions With Pipe Grapple</b>	<i>Rockland with 0.09-m x 0.20-m x 2.44-m (3.5 in. x 8.0 in. x 96.0 in.) tine length</i>		<b>Specifications With Pipe Grapple</b>	
Height to Top of Cab	3.57 m (11 ft. 9 in.)		Tipping Load, Straight, No Tire Deflection	12 513 kg (27,586 lb.)
Hood Height	2.73 m (8 ft. 11 in.)		Tipping Load, Straight, With Tire Deflection	12 024 kg (26,508 lb.)
Ground Clearance	458 mm (18 in.)		Tipping Load, 37-deg. Partial Turn, No Tire Deflection	10 867 kg (23,957 lb.)
Length From Centerline to Front Axle	1.70 m (5 ft. 7 in.)		Tipping Load, 40-deg. Full Turn, No Tire Deflection	10 601 kg (23,371 lb.)
Wheelbase	3.46 m (11 ft. 4 in.)		Tipping Load, 40-deg. Full Turn, With Tire Deflection	9 927 kg (21,885 lb.)
Overall Length, Forks on Ground	9.91 m (32 ft. 6 in.)		Operating Weight	27 180 kg (59,922 lb.)
Height to Hinge Pin, Fully Raised	4.27 m (14 ft. 0 in.)		<i>Loader operating information is based on machine with identified linkage and standard equipment, JD9 PSS 6090 (EPA FT4/EU Stage V) and JD9 6090H (EPA Tier 3/EU Stage IIIA) engines, ROPS cab, rear cast bumper/counterweight, transmission side-frame guards, bottom guards, standard tires, full fuel tank, and 79-kg (175 lb.) operator. This information is affected by changes in tires, ballast, and different attachments.</i>	
Reach, Fully Raised	3.34 m (11 ft. 0 in.)			
Fork Height, Fully Raised	3.64 m (11 ft. 11 in.)			
Maximum Reach, Fork Level	4.19 m (13 ft. 9 in.)			
Fork Height, Maximum Reach	1.30 m (4 ft. 3 in.)			
Reach, Ground Level	2.98 m (9 ft. 9 in.)			
Depth Below Ground	470 mm (18.5 in.)			
Tine Length	2.44 m (96 in.)			
Grapple Weight	3406 kg (7,510 lb.)			
Overall Grapple Width	3.05 m (120 in.) (10 ft. 0 in.)			

While general information, pictures, and descriptions are provided, some illustrations and text may include product options and accessories NOT AVAILABLE in all regions, and in some countries products and accessories may require modifications or additions to ensure compliance with the local regulations of those countries.

# 744 P-TIER

## Adjustments to Operating Weights and Tipping Loads With Buckets

### 744 P-TIER STANDARD-LIFT / HIGH-LIFT

EPA FT4/EU Stage V / EPA Tier 3/EU Stage IIIA

Adjustments to operating weights, tipping loads, and tires are based on Standard-Lift machine with pin-on 4.0-m<sup>3</sup> (5.25 cu. yd.) general-purpose bucket with bolt-on cutting edge and no wear plates, ROPS cab, rear cast bumper/counterweight, transmission side-frame guards, bottom guards, standard tires, full fuel tank, and 79-kg (175 lb.) operator\*

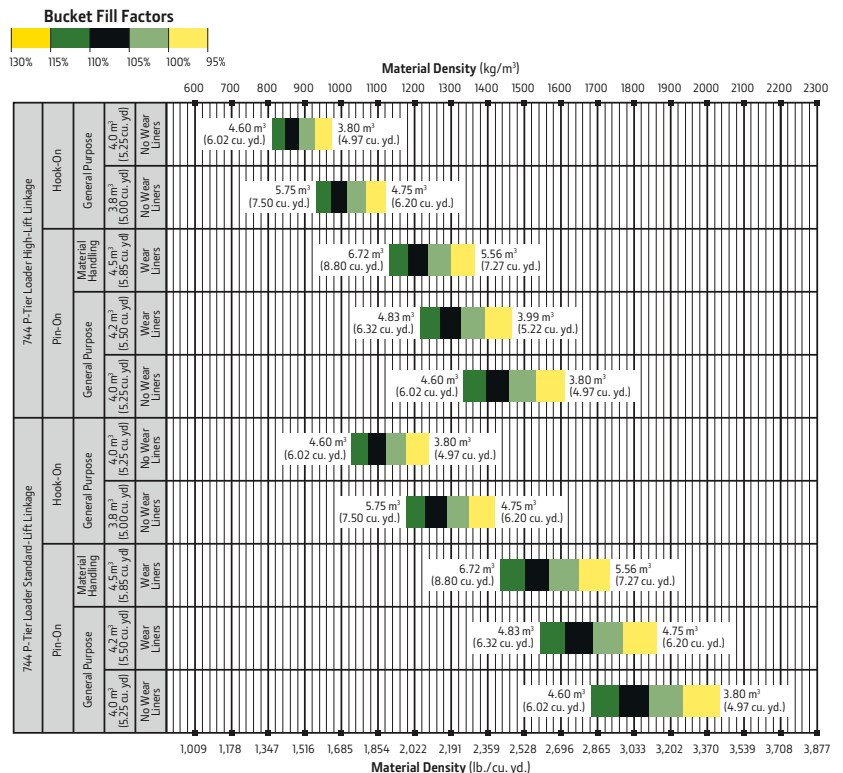
Add (+) or deduct (-) kg (lb.) as indicated for loaders with 3-piece rims	Operating Weight	Tipping Load,			Tread Width	Width Over Tires	Vertical Height
		Straight	Partial Turn	37-deg.			
Michelin 26.5 R 25, 2 Star L-3	0 kg (0 lb.)	0 kg (0 lb.)	0 kg (0 lb.)	0 kg (0 lb.)	0 mm (0 in.)	0 mm (0 in.)	0 mm (0 in.)
Titan 26.5 R 25, 1 Star L-3	0 kg (0 lb.)	0 kg (0 lb.)	0 kg (0 lb.)	0 kg (0 lb.)	0 mm (0 in.)	-8 mm (-0.30 in.)	+4 mm (+0.15 in.)
Goodyear 26.5 R 25, 1 Star L-3	-56 kg (-123 lb.)	-42 kg (-93 lb.)	-37 kg (-82 lb.)	-37 kg (-82 lb.)	0 mm (0 in.)	0 mm (0 in.)	+4 mm (+0.15 in.)
Firestone 26.5-25, 20-Ply L-3	-360 kg (-794 lb.)	-268 kg (-591 lb.)	-241 kg (-531 lb.)	-236 kg (-520 lb.)	0 mm (0 in.)	-30 mm (-1.18 in.)	+41 mm (+1.61 in.)
Firestone 26.5-25, 20-Ply L-5 <sup>‡</sup> (EPA Tier 3/ EU Stage IIIA only)	+312 kg (+688 lb.)	+234 kg (+516 lb.)	+210 kg (+463 lb.)	+206 kg (+454 lb.)	0 mm (0 in.)	-20 mm (-0.8 in.)	+64 mm (+2.51 in.)
Michelin 775/65 R29, 1 Star L-3 <sup>§</sup>	+726 kg (+1,601 lb.)	+541 kg (+1,193 lb.)	+486 kg (+1,071 lb.)	+477 kg (+1,052 lb.)	0 mm (0 in.)	+104 mm (+4.09 in.)	+23 mm (+0.91 in.)
Bridgestone 775/65 R29, 1 Star L-3 <sup>§</sup>	+876 kg (+1,931 lb.)	+653 kg (+1,440 lb.)	+586 kg (+1,292 lb.)	+575 kg (+1,268 lb.)	0 mm (0 in.)	+99 mm (+3.90 in.)	+14 mm (+0.55 in.)
4.2-m <sup>3</sup> (5.5 cu. yd.) Enhanced-Performance Bucket With Wear Liners	+237 kg (+522 lb.)	-461 kg (-1,016 lb.)	-439 kg (-968 lb.)	-435 kg (-959 lb.)	0 mm (0 in.)	0 mm (0 in.)	0 mm (0 in.)
4.5-m <sup>3</sup> (5.85 cu. yd.) Enhanced-Performance Bucket With Wear Liners	+274 kg (+604 lb.)	-603 kg (-1,329 lb.)	-570 kg (-1,257 lb.)	-565 kg (-1,246 lb.)	0 mm (0 in.)	0 mm (0 in.)	0 mm (0 in.)
High-Lift Boom	+540 kg (+1,190 lb.)	-4041 kg (-8,909 lb.)	-3646 kg (-8,038 lb.)	-3582 kg (-7,897 lb.)	0 mm (0 in.)	0 mm (0 in.)	0 mm (0 in.)

\*May change based on vehicle configuration, weight, or tire-pressure adjustments.

<sup>‡</sup>Requires 8-deg. rear axle stops.

## Bucket Selection Guides

LOOSE MATERIALS	kg/m <sup>3</sup>	lb./cu. yd.	LOOSE MATERIALS	kg/m <sup>3</sup>	lb./cu. yd.
Chips, pulpwood	288	486	Limestone, coarse, sized	1570	2,646
Cinders (coal, ashes, clinkers)	673	1,134	Limestone, mixed sizes	1682	2,835
Clay and gravel, dry	1602	2,700	Limestone, pulverized or crushed	1362	2,295
Clay, compact, solid	1746	2,943	Sand, damp	2083	3,510
Clay, dry in lump loose	1009	1,701	Sand, dry	1762	2,970
Clay, excavated in water	1282	2,160	Sand, voids, full of water	2083	3,510
Coal, anthracite, broken, loose	865	1,458	Sandstone, quarried	1314	2,214
Coal, bituminous, moderately wet	801	1,350	Shale, broken crushed	1362	2,295
Earth, common loam, dry	1218	2,052	Slag, furnace granulated	1955	3,294
Earth, mud, packed	1843	3,105	Stone or gravel, 37.5 to 87.5-mm (1.5 to 3.5 in.) size	1442	2,430
Granite, broken	1538	2,592	Stone or gravel, 18.75-mm (0.75 in.) size	1602	2,700
Gypsum	2275	3,834			



# Additional equipment

Key: ● Standard ▲ Optional or special

See your John Deere dealer for further information.

## 744 P Engine

- Wet-sleeve cylinder liners
- Programmable auto-idle and auto shutdown
- Selected idle adjustment from 900–1,250 rpm
- Starter excessive-cranking protection
- Automatic engine cool-down timer
- Automatic derating for exceeded system temperatures
- Serpentine drive belt for automatic tensioner
- Electrical fuel-priming pump
- Dual-stage fuel filter and water separator
- 500-hour vertical spin-on oil filter
- Engine-compartment light
- Black exhaust stack with brushed-nickel trim
- ▲ Chrome exhaust stack
- ▲ Automatic ether starting aid and engine block heater (recommended for cold starts below –12 deg. C [10 deg. F])
- Centrifugal engine air pre-cleaner
- ▲ Throttle lock

## Powertrain

- Clutch cutoff with 4 operator settings: Automatic, level ground, small slope, or steep slope
- Programmable maximum high gear
- Clutch calibration engaged from monitor
- 2,000-hour vertical spin-on transmission filter
- Transmission fill tube with sight gauge
- Transmission diagnostic ports
- 5-speed transmission with lockup torque converter
- Front locking differential
- ▲ Rear locking differential
- Brake adjusters and retractors
- ▲ Automatic differential lock
- Axle oil temperature sensing
- Wheel-spin control
- ▲ Pile Slip Assist

## 744 P Quad-Cool™ Cooling System

- Heavy-duty, trash-resistant radiator and high-ambient cooling package
- 2-side access to all coolers
- Isolated from engine compartment
- Engine radiator
- Integral engine oil cooler
- Hydraulic oil cooler (oil to air)
- Transmission oil cooler (oil to air)
- Charge air cooler (air to air)
- Fuel cooler
- Coolant recovery tank with under-hood lighting
- Coolant-loss sensor
- Antifreeze, –37 deg. C (–34 deg. F)
- Cool-on-demand swing-out fan
- Enclosed fan safety guard
- Automatic reversing fan drive
- Axle and service-brake coolers

## Hydraulics

- Electrohydraulic control with soft stops and adjustable settings
- In-cab adjustable automatic return-to-dig bucket positioner
- In-cab adjustable automatic boom-height kickout/return to carry
- Reservoir with sight gauge and fill strainer
- Hydraulic diagnostic ports
- 4,000-hour in-tank filter
- 2 function — 2-lever fingertip controls
- ▲ 2 function — joystick
- ▲ 2 function — joystick with F-N-R (steering wheel only)
- ▲ 3 function — 3-lever fingertip controls
- ▲ 3 function — joystick with integrated 3rd-function roller
- ▲ 3 function — joystick with integrated 3rd-function roller and F-N-R (steering wheel only)
- ▲ 4 function — joystick with integrated 3rd/4th-function rollers
- ▲ 4 function — joystick with integrated 3rd/4th-function rollers and F-N-R (steering wheel only)
- 2 programmable multifunction buttons
- Adjustable and continuous auxiliary hydraulic-flow settings

## 744 P Hydraulics (continued)

- Programmable attachment settings
- Ride control, automatic with monitor-adjustable speed settings
- ▲ Hydraulic control system for quick-coupler locking pins
- ▲ Hydra™ XR cold-temperature hydraulic fluid recommended below –25 deg. C (–13 deg. F)

## Steering Systems

- Joystick steering with gearshift, F-N-R, and horn
- ▲ Conventional steering wheel with spinner knob
- ▲ Secondary steering

## Electrical

- Solid-state electrical power-distribution system
- Lockable master electrical-disconnect switch
- Battery-terminal safety covers
- By-pass start safety cover at starter
- Remote jump-start access in battery box
- Pre-wired for beacon/strobe light
- ▲ Beacon bracket (single or dual available)
- ▲ LED strobe beacon
- Lights: LED driving lights with guards (2) / Front (4), rear cab (2), and rear grille (2) work lights / LED front turn signals and flashers / LED stop- and taillights
- ▲ Premium LED work, drive, and marker lights
- Programmable courtesy lights
- Horn, electric
- Reverse warning alarm
- Multifunction/multi-language 178-mm (7 in.) LCD color monitor includes: Digital instruments — Analog display (hydraulic oil temperature, engine coolant temperature, transmission oil temperature, and engine oil pressure) / Digital display (engine rpm, transmission gear/direction indicator, hour meter, fuel level, diesel exhaust fluid [DEF] level (EPA Final Tier 4/ EU Stage V only), speedometer, odometer, and average fuel consumption)

While general information, pictures, and descriptions are provided, some illustrations and text may include product options and accessories NOT AVAILABLE in all regions, and in some countries products and accessories may require modifications or additions to ensure compliance with the local regulations of those countries.

Net engine power is with standard equipment including air cleaner, exhaust system, alternator, and cooling fan at test conditions per ISO 9249. No derating is required up to 3050-m (10,000 ft.) altitude. Specifications and design subject to change without notice. Specifications with the exception of bucket capacity are in accordance with all applicable ISO standards. Except where otherwise noted, these specifications are based on a unit with applicable linkage and standard equipment, ROPS cab, rear cast bumper/counterweight, transmission side-frame guards, bottom guards, standard tires, full fuel tank, and 79-kg (175 lb.) operator.

# Additional equipment *(continued)*

Key: ● Standard ▲ Optional or special

See your John Deere dealer for further information.

## 744 P Electrical *(continued)*

- Integrated cycle counter with 5 categories
- Indicator lights: Standard and selected options / Amber caution and red stop
- Operator-warning messages
- Built-in diagnostics: Diagnostic-code details / Sensor values / Calibrations / Individual circuit tester
- ▲ Electrical corrosion-prevention package
- ▲ Premium AM/FM/Weather Band (WB) radio with Bluetooth®, remote auxiliary port, and remote USB port
- ▲ 24- to 12-volt, 30-amp converter with 3 in-cab power ports

### Operator's Station

- Quiet Cab with air conditioning/heater (ROPS/FOPS Level 2, isolation mounted)
- Automatic temperature control
- Rear window defrost vent
- Keyless start with multiple security modes
- Sealed-switch module with function indicators
- Premium seat with high-wide back and headrest extension, heated and ventilated, leather/fabric cover, pan tilt/extend, damper adjustments, and adjustable heavy-duty air suspension
- Hydraulic controls and joystick steering integrated to seat
- High-visibility, bright-orange seat belt, 76 mm (3 in.), with retractor
- ▲ 4-point seat-belt harness
- Seat-belt minder monitoring with JDLink™
- ▲ Seat-belt indicator beacon light
- Cup holder and cup/thermos holder with retaining strap
- Lunch-box/cooler holder with tie-down brackets
- LED dome and reading light
- Coat hook
- Rubber floor mat
- ▲ Dual-tilt steering column (steering wheel only)
- Operator's manual storage compartment
- Outside (2) and inside (2) rearview mirrors
- ▲ In-cab adjustable heated outside mirrors with convex lens

## 744 P Operator's Station *(continued)*

- Left-side operator-station access
- Front window-washing platforms with fall-arrest system anchor points tested to 2268 kg (5,000 lb.)
- Slip-resistant steps and ergonomic handholds
- Pull-down front sun visor
- ▲ Pull-down rear sun visor
- CB radio ready with 12-volt power, bracket, and antennae included
- Front and rear intermittent windshield wiper and washers
- ▲ Powered cab air pre-cleaner
- Rearview camera
- ▲ Advanced rear object-detection system (EPA FT4/EU Stage V only)
- ▲ Advanced Vision System
- ▲ Rear object-detection system (EPA Tier 3/EU Stage IIIA only)
- Payload scale ready
- ▲ SmartWeigh™ ready + trial
- ▲ SmartWeigh
- ▲ SmartDetect™
- ▲ Fire extinguisher

### Loader Linkage

- Z-Bar loader linkage
- ▲ High-Lift Z-Bar loader linkage

### Buckets and Attachments

- ▲ Full line of Deere pin-on buckets, hook-on buckets, and forks
- ▲ John Deere hydraulic coupler that accepts JRB 420-pattern attachments
- ▲ Bolt-on bucket spill guard
- ▲\* Bushed pin joints (including static joints) on optional Enhanced-Performance buckets

### Overall Vehicle

- JDLink wireless communication system (available in specific countries; see your dealer for details)
- ▲ Auto-lube system with empty reservoir sensor and diagnostics integrated into machine diagnostics and JDLink alerts
- Front and rear tie-downs
- Rear cast bumper with rear hitch and locking pin

## 744 P Overall Vehicle *(continued)*

- Articulation locking bar
- Loader boom service locking bar
- 40-deg. steering articulation to each side with rubber-cushion stops on frame
- Vandal protection with lockable engine enclosures, right counterweight storage, battery box, and filler access for radiator/fuel/hydraulic transmission
- Right and left handrails, platforms, and steps
- Service steps and handholds
- Storage compartment
- Fuel-tank fill strainer
- Heavy-duty fuel-tank guard
- Ground-level fueling and DEF
- Same-side ground-level daily servicing
- Environmental drains for engine, transmission, hydraulic oils, and engine coolant
- Fluid-sampling ports for engine, transmission, hydraulic and axle oils, and engine coolant
- 26.5R25 tires on 5-piece rims
- ▲ 775/65R29 tires on 5-piece rims
- ▲ Less wheels and tires
- ▲ Less wheels and tires with axle stops
- ▲ Rims less tires
- ▲ Tire-pressure monitoring system
- ▲ Transmission side-frame and bottom guards
- ▲ Fast-fuel system
- ▲ Quick fluid service (engine, transmission, hydraulic oils, and engine coolant)
- Fenders, full-coverage, front
- ▲ Fenders, full-coverage, front and rear
- ▲ Fenders, roading, full-coverage, front and rear
- Lift eyes
- ▲ Wheel-chock-mounting brackets
- ▲ License-plate bracket and light
- ▲ Log handler (Standard-Lift only)
- ▲ Pipe handler (Standard-Lift only)
- ▲ Special guarding for waste and forestry applications

\*Standard or optional depending on determination with less bucket as an option; bucket bushings are standard.

While general information, pictures, and descriptions are provided, some illustrations and text may include product options and accessories NOT AVAILABLE in all regions, and in some countries products and accessories may require modifications or additions to ensure compliance with the local regulations of those countries.

Net engine power is with standard equipment including air cleaner, exhaust system, alternator, and cooling fan at test conditions per ISO 9249. No derating is required up to 3050-m (10,000 ft.) altitude. Specifications and design subject to change without notice. Specifications with the exception of bucket capacity are in accordance with all applicable ISO standards. Except where otherwise noted, these specifications are based on a unit with applicable linkage and standard equipment, ROPS cab, rear cast bumper/counterweight, transmission side-frame guards, bottom guards, standard tires, full fuel tank, and 79-kg (175 lb.) operator.



MW744PAU (24-09)



**JOHN DEERE**